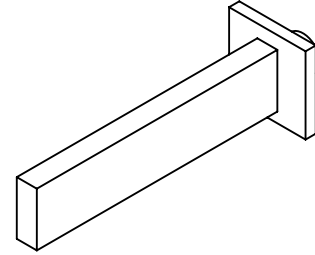


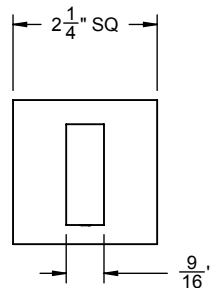
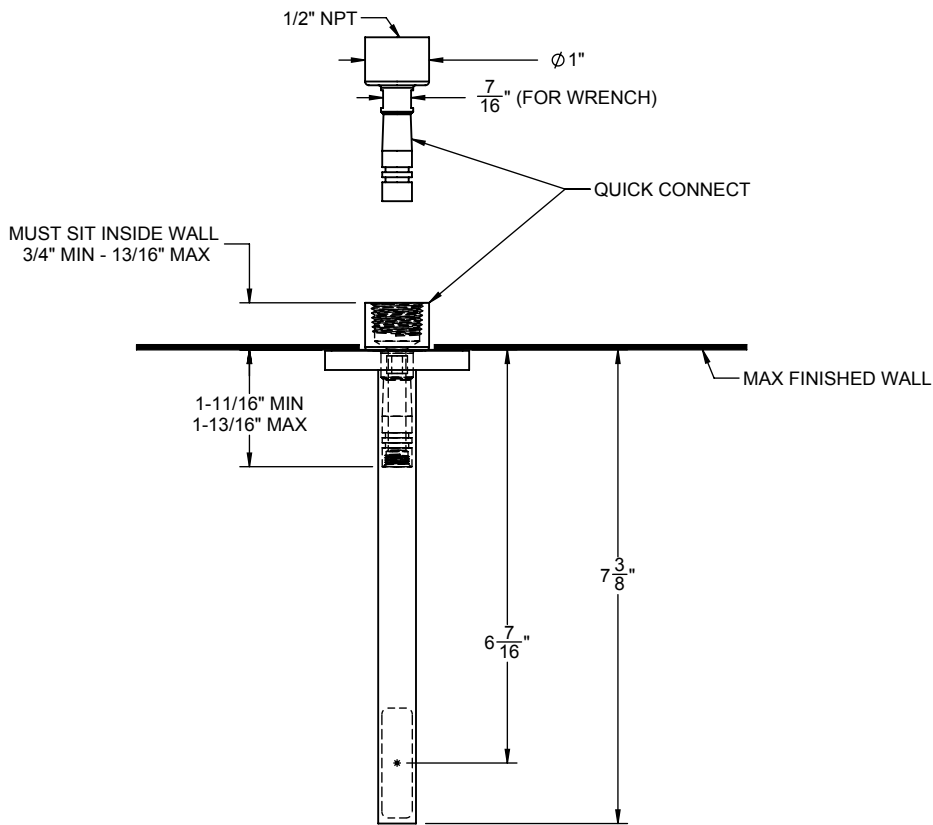
**Features**

- 6-7/16" wall to center of flow
- 7.5 gpm (28.4 L/m) max flow rate
- Quick connect
- All brass construction
- Over 30 finishes including 13 PVD finishes



**Codes/Standards Applicable**

- Product meets or exceeds the following:
- ASME A112.18.1/CSA B125.1



THROUGH-HOLE SPECIFICATIONS		
	MIN	RECOMMENDED
SPOUT:	Ø 1-1/4"	Ø 1-3/8"