



California Faucets®

Catalina™

WALL LAVATORY

TO-V6302-7

Features

- Over 28 finishes including 13 PVD finishes
- All brass construction
- 5-13/16" spout wall to center
- 1.2 gpm (4.5 L/min) max flow rate
- Rough valve (VL-R) sold separately

Codes/Standards Applicable

Product meets or exceeds the following:

- ASME A112.18.1/CSA B125.1
- NSF/ANSI 61 & NSF/ANSI 372
- CEC & DOE
- Commonwealth of MA
- EPA WaterSense High Efficiency Lavatory

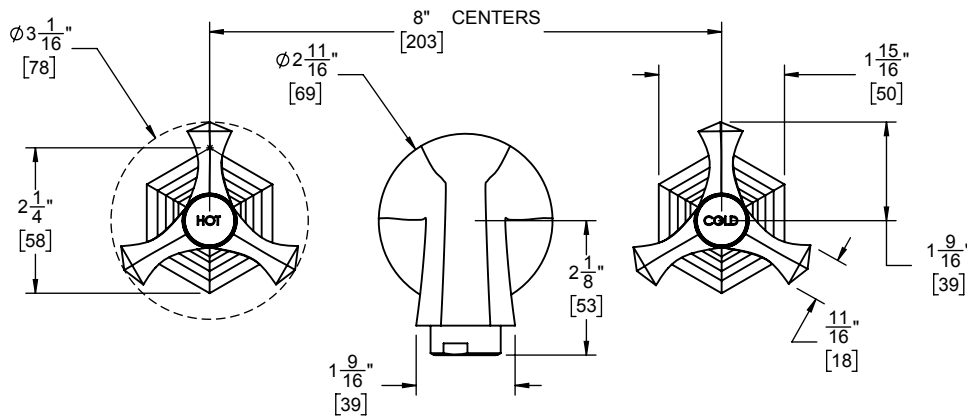
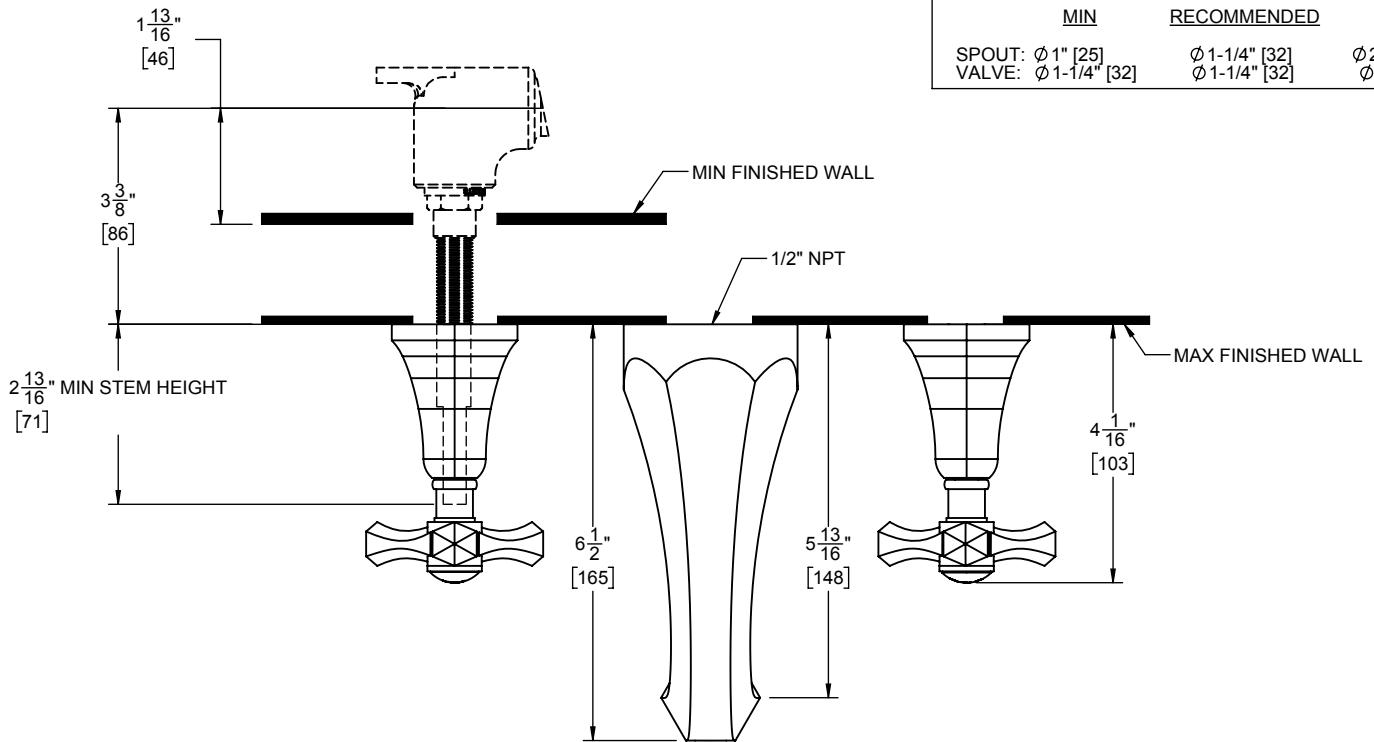


TO-V6302-7



THROUGH-HOLE SPECIFICATIONS

	MIN	RECOMMENDED	MAX
SPOUT: Ø 1" [25]		Ø 1-1/4" [32]	Ø 2-7/16" [62]
VALVE: Ø 1-1/4" [32]		Ø 1-1/4" [32]	Ø 1-5/8" [41]



SPECIFICATIONS SUBJECT TO CHANGE WITHOUT NOTICE

DIMENSIONS SHOWN TO NEAREST 1/16" [DIMENSIONS SHOWN TO NEAREST 1MM]