



California Faucets®

Avalon™

WALL LAVATORY

TO-V6202-7/9

Features

- Over 28 finishes including 13 PVD finishes
- All brass construction
- 1.2 gpm (4.5 L/min) max flow rate
- Single handle operation
- Rough valve (SVLH-R) sold separately

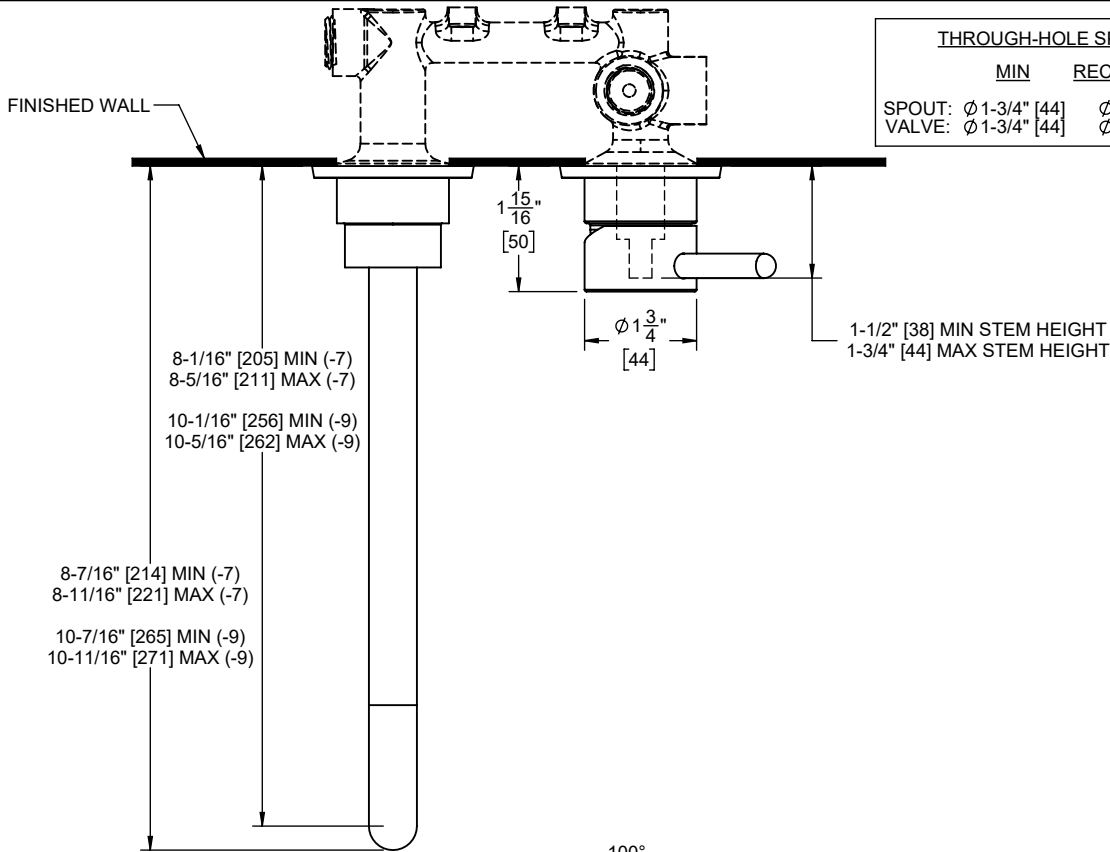
Codes/Standards

Product meets or exceeds the following:

- ASME A112.18.1/CSA B125.1
- NSF/ANSI 61 & NSF/ANSI 372
- CEC & DOE
- Commonwealth of MA
- EPA WaterSense High Efficiency Lavatory
- ADA compliant

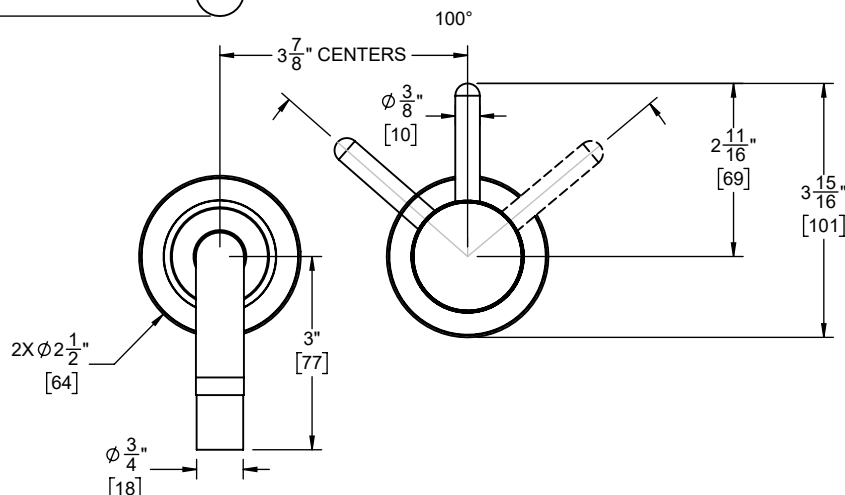
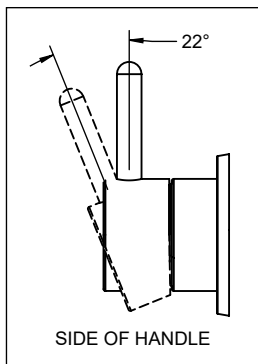


TO-V6202-9 shown



THROUGH-HOLE SPECIFICATIONS

	MIN	RECOMMENDED	MAX
SPOUT: Ø	1-3/4" [44]	Ø 1-3/4" [44]	Ø 2" [51]
VALVE: Ø	1-3/4" [44]	Ø 1-3/4" [44]	Ø 2" [51]



SPECIFICATIONS SUBJECT TO CHANGE WITHOUT NOTICE

DIMENSIONS SHOWN TO NEAREST 1/16"
[DIMENSIONS SHOWN TO NEAREST 1mm]