



California Faucets®

**Encinitas™**

**WIDESPREAD LAVATORY FAUCET**

**TO-V3602-719**

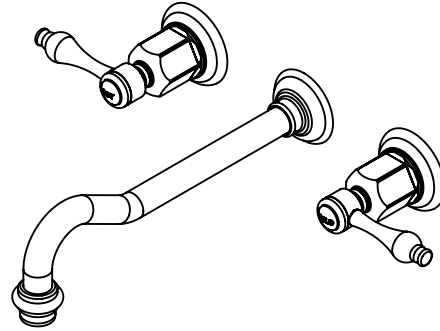
**Features**

- Over 28 finishes including 13 PVD finishes
- All brass construction
- 1.2 gpm (4.5 L/min) max flow rate
- Rough valve (CF-VL-R) sold separately

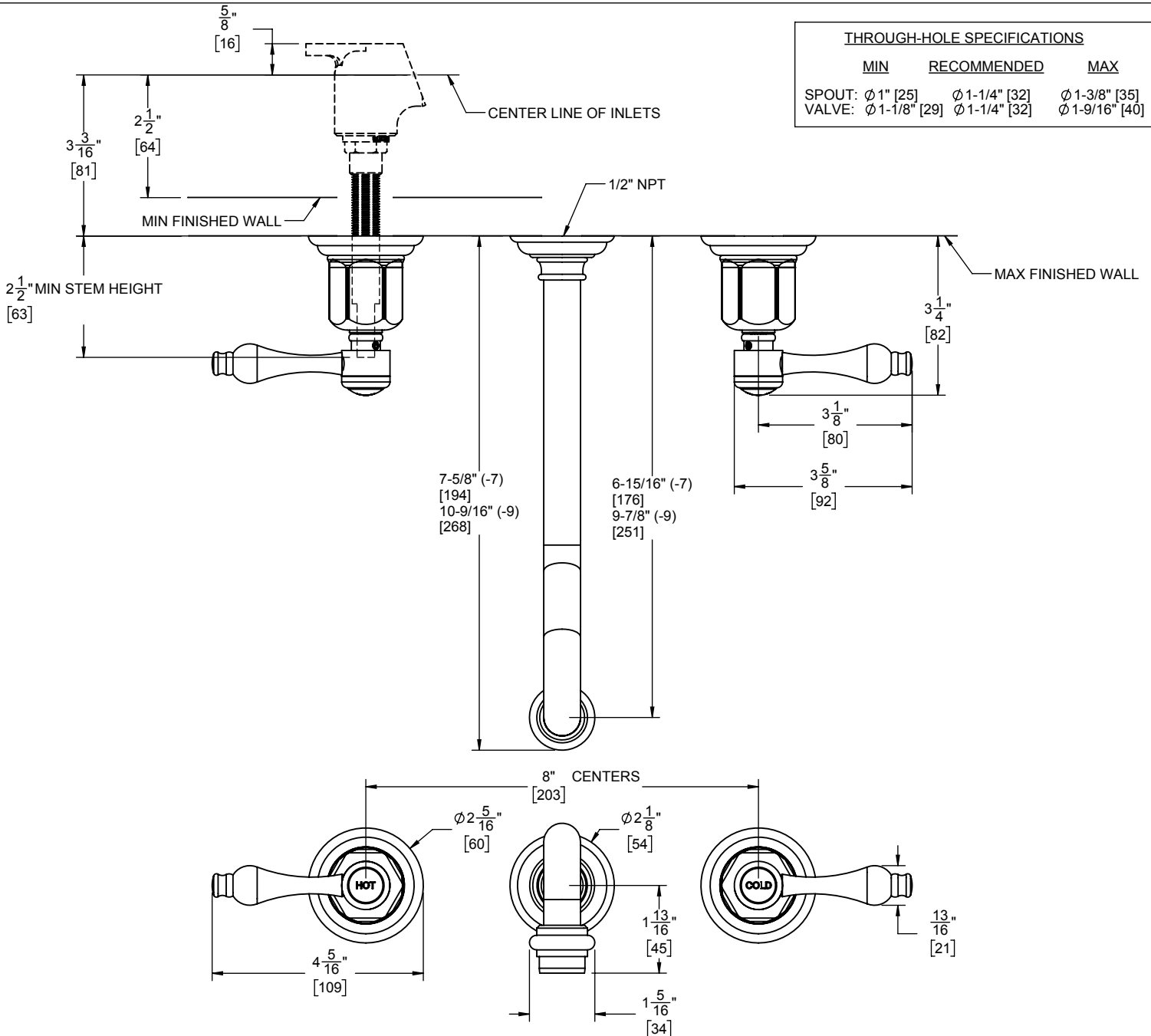
**Codes/Standards**

Product meets or exceeds the following:

- ASME A112.18.1/CSA B125.1
- NSF/ANSI 61 & NSF/ANSI 372
- CEC & DOE
- Commonwealth of MA
- EPA WaterSense High Efficiency Lavatory
- ADA compliant



TO-V3602-9



SPECIFICATIONS SUBJECT TO CHANGE WITHOUT NOTICE

DIMENSIONS SHOWN TO NEAREST 1/16"  
[DIMENSIONS SHOWN TO NEAREST 1mm]