



TO-V3402-7/9

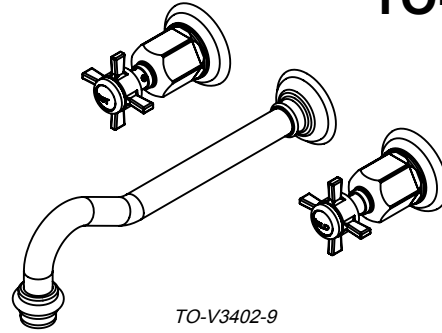
Features

- Over 28 finishes including 13 PVD finishes
- All brass construction
- 1.2 gpm (4.5 L/min) max flow rate
- Rough valve (CF-VL-R) sold separately

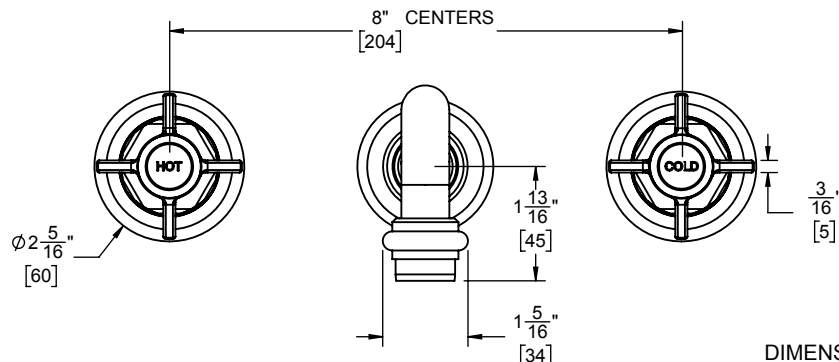
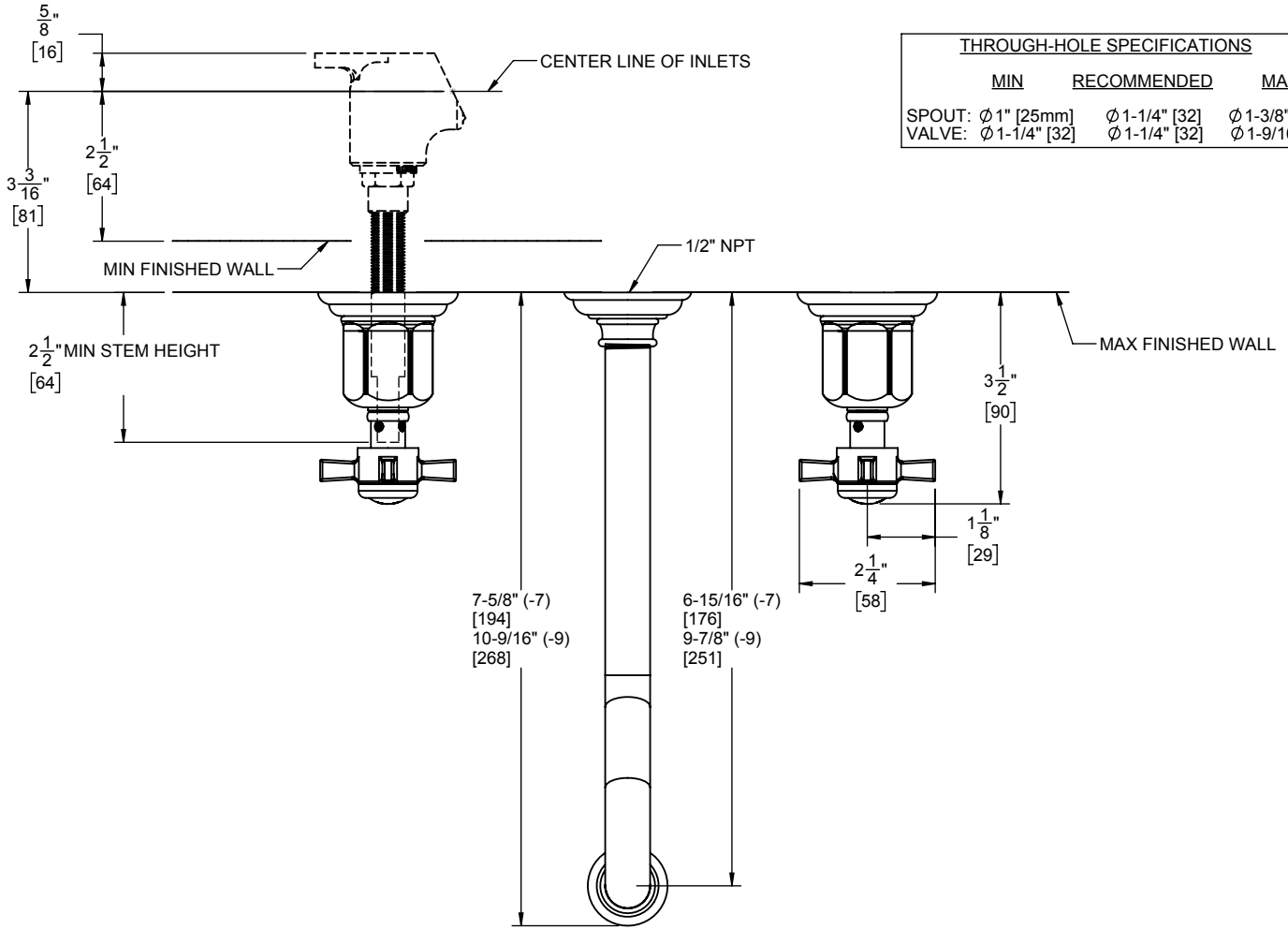
Codes/Standards

Product meets or exceeds the following:

- ASME A112.18.1/CSA B125.1
- NSF/ANSI 61 & NSF/ANSI 372
- CEC & DOE
- Commonwealth of MA
- EPA WaterSense High Efficiency Lavatory



TO-V3402-9



DIMENSIONS SHOWN TO NEAREST 1/16" [DIMENSIONS SHOWN TO NEAREST 1mm]