



California Faucets®

Topanga™

WALL LAVATORY

Features

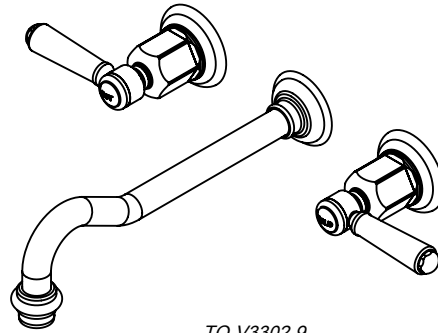
- Over 28 finishes including 13 PVD finishes
- All brass construction
- 1.2 gpm (4.5 L/min) max flow rate
- Rough valve (CF-VL-R) sold separately

Codes/Standards

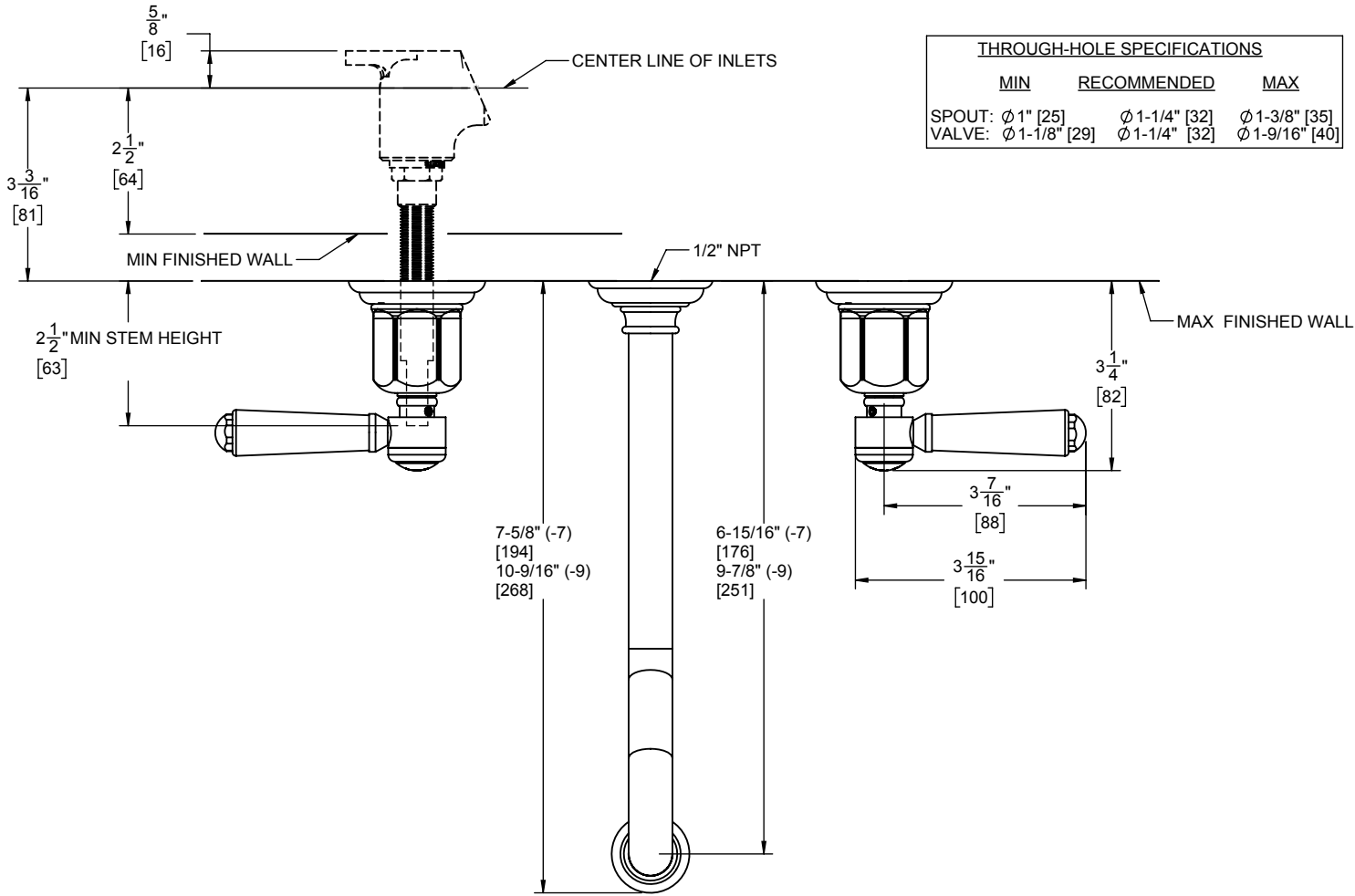
Product meets or exceeds the following:

- ASME A112.18.1/CSA B125.1
- NSF/ANSI 61 & NSF/ANSI 372
- CEC & DOE
- Commonwealth of MA
- EPA WaterSense High Efficiency Lavatory
- ADA compliant

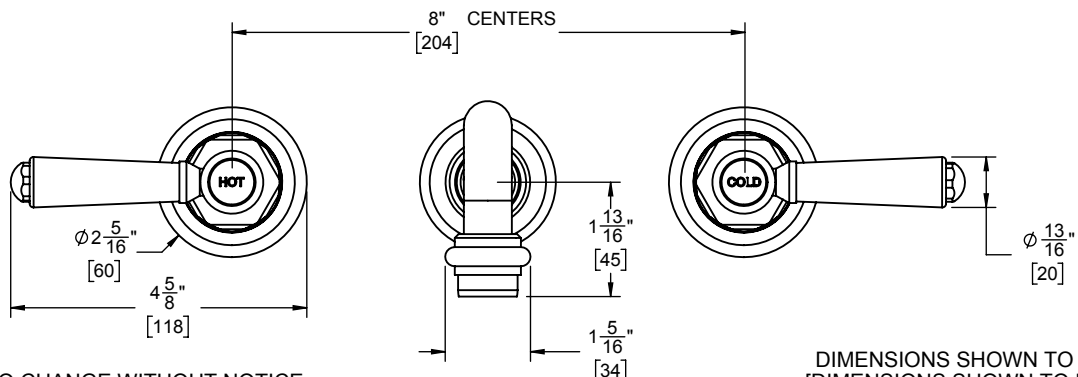
TO-V3302-7/9



TO-V3302-9



THROUGH-HOLE SPECIFICATIONS			
	MIN	RECOMMENDED	MAX
SPOUT: Ø 1"	[25]	Ø 1-1/4" [32]	Ø 1-3/8" [35]
VALVE: Ø 1-1/8"	[29]	Ø 1-1/4" [32]	Ø 1-9/16" [40]



SPECIFICATIONS SUBJECT TO CHANGE WITHOUT NOTICE

DIMENSIONS SHOWN TO NEAREST 1/16"
[DIMENSIONS SHOWN TO NEAREST 1mm]