



California Faucets®

Tamalpais™

DECK TRIM DIVERTER

Features

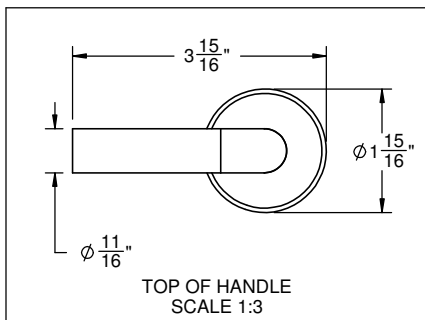
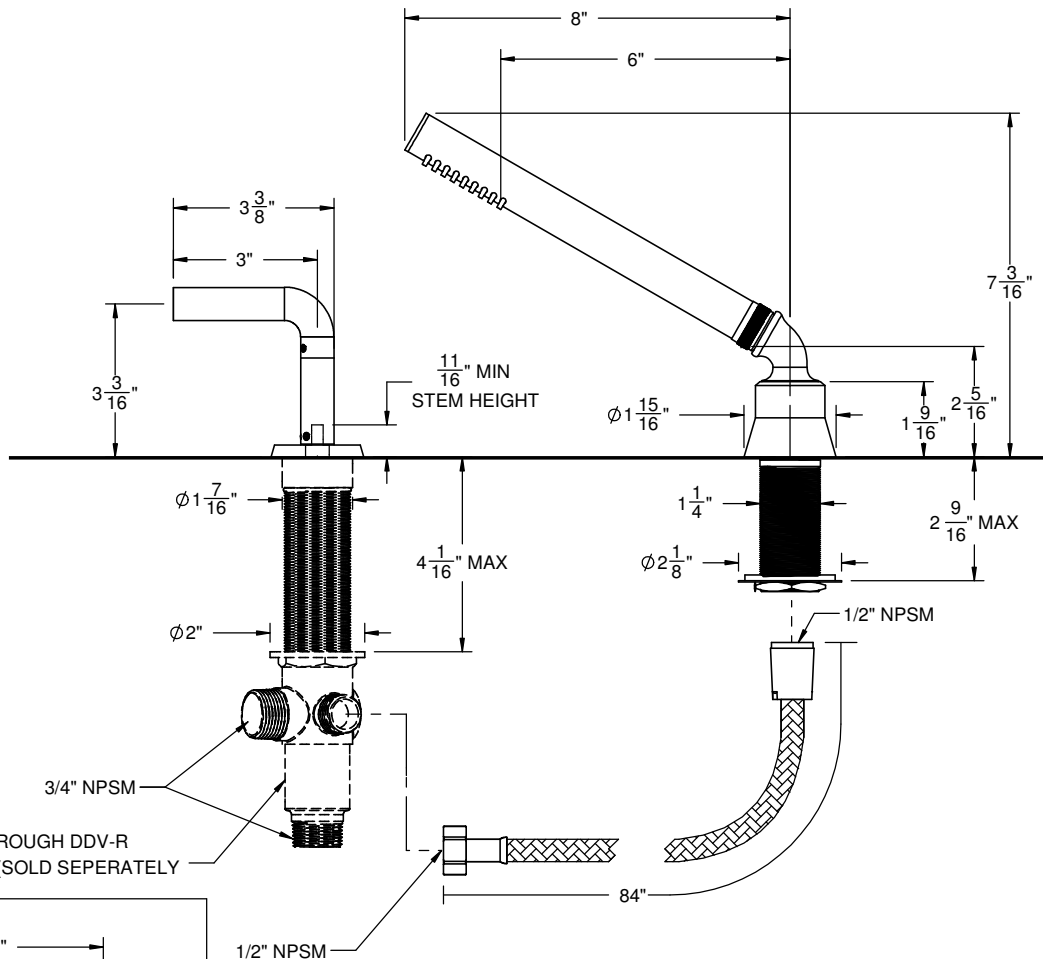
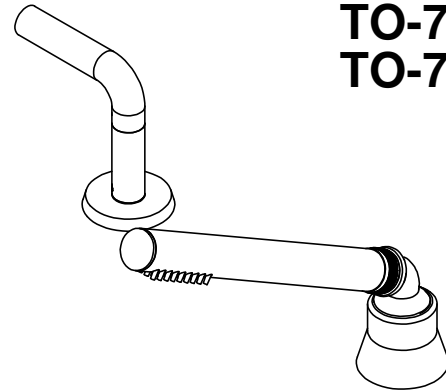
- Handshower: 1/2" MIP inlet with self-clean rubber jets
- Max flow rates: 2.0 gpm (7.6 L/min) or 1.8 gpm (6.8 L/min)
- Handshower elbow: 1/2" FIP swivel nut with 1/2" MIP inlet
- Hose: 84" Black poly braided hose. Provides durable, quiet & no damage to trim finish during operation
- Anti-siphon diverter valve (DDV-R) sold separately
- Solid brass construction
- Over 30 finishes including 15 PVD finishes

Codes/Standards Applicable

Product meets or exceeds the following:

- ASME A112.18.1/CSA B125.1
- CEC (1.8 gpm)
- DOE (2.0 & 1.8 gpm)
- Commonwealth of MA
- EPA WaterSense Specification for Showerheads (2.0 gpm)
- ADA Compliant

TO-74.62.20 TO-74.62.18



THROUGH-HOLE SPECIFICATIONS		
	MIN	RECOMMENDED
SHOWER:	Ø 1-1/4"	Ø 1-1/4"
VALVE:	Ø 1-7/16"	Ø 1-1/2"

SPECIFICATIONS SUBJECT TO CHANGE WITHOUT NOTICE

ALL DIMENSIONS SHOWN TO NEAREST 1/16"