



California Faucets®

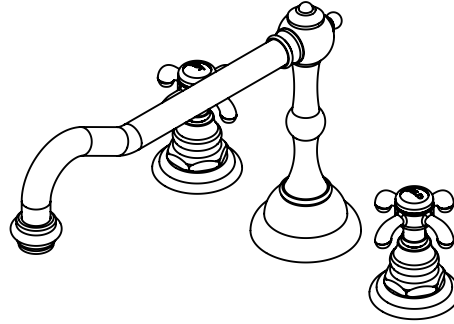
Salinas™

ROMAN TUB SET TRIM

TO-6708

Features

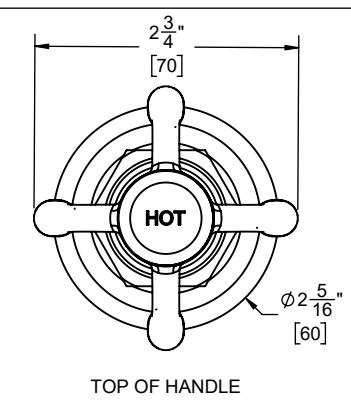
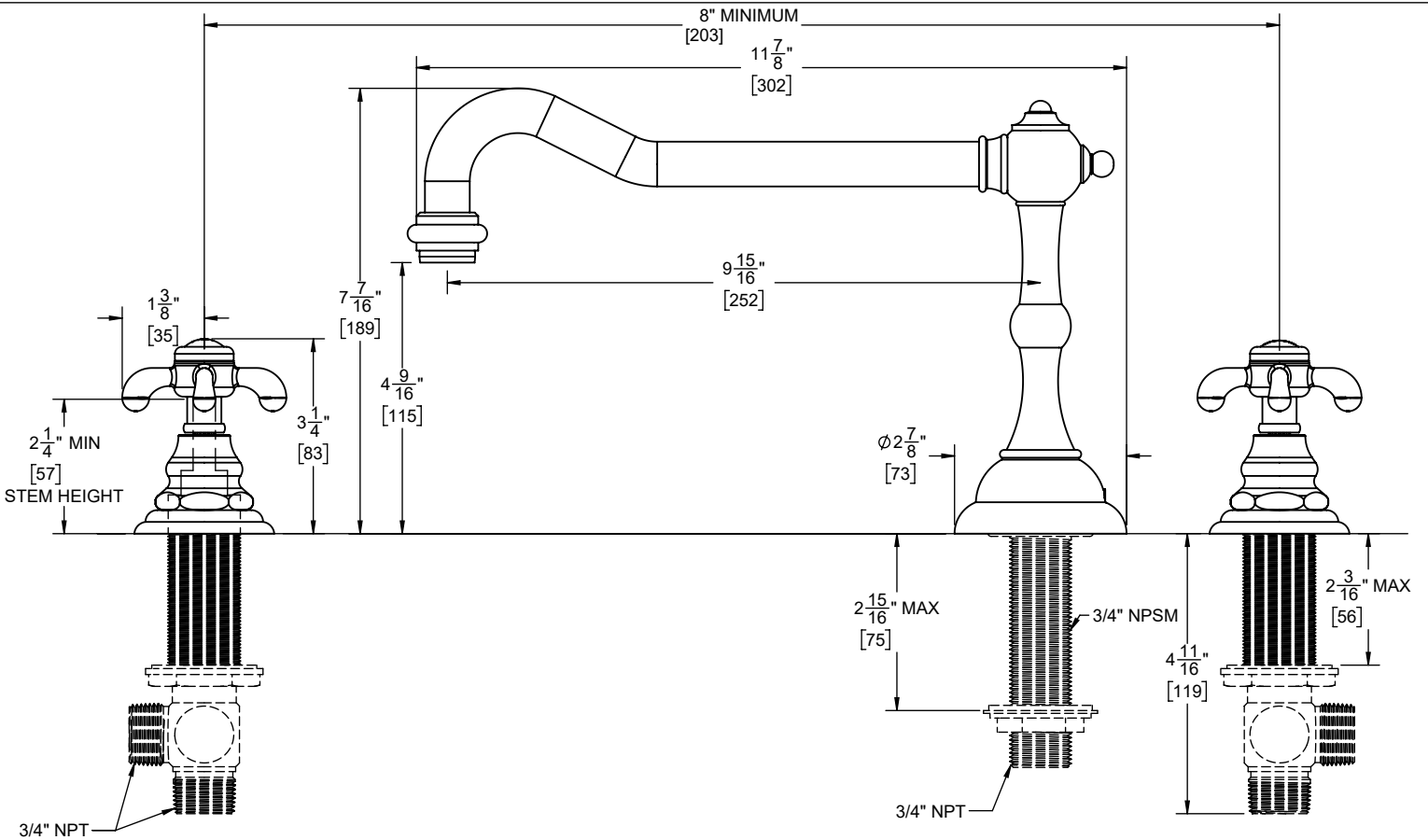
- Available in 28 finishes including 13 PVD finishes
- All brass construction
- 9-15/16" spout center to center
- Spout has easy Quick Connect fitting
- 16 gpm (60.6 L/min) max flow rate at 60 psi
- Requires rough valve (08-75-99) sold separately



Codes/Standards Applicable

Product meets or exceeds the following:

- ASME A112.18.1/CSA B125.1



THROUGH-HOLE SPECIFICATIONS			
	MIN	RECOMMENDED	MAX
SPOUT:	Ø 1" [35]	Ø 1-3/8" [35]	Ø 1-5/8" [41]
VALVE:	Ø 1-1/4" [32]	Ø 1-3/8" [35]	Ø 1-5/8" [41]

DIMENSIONS SHOWN TO NEAREST 1/16" [DIMENSIONS SHOWN TO NEAREST 1mm]

SPECIFICATIONS SUBJECT TO CHANGE WITHOUT NOTICE