



California Faucets®

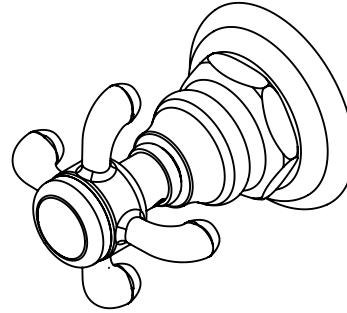
Humboldt™

WALL OR DECK HANDLE TRIM ONLY

TO-67-W

Features

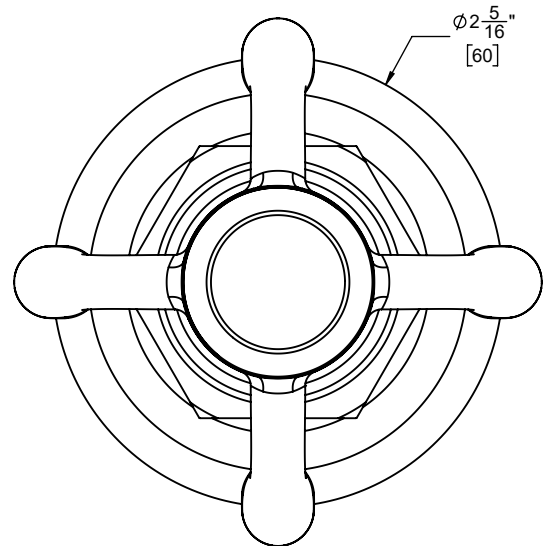
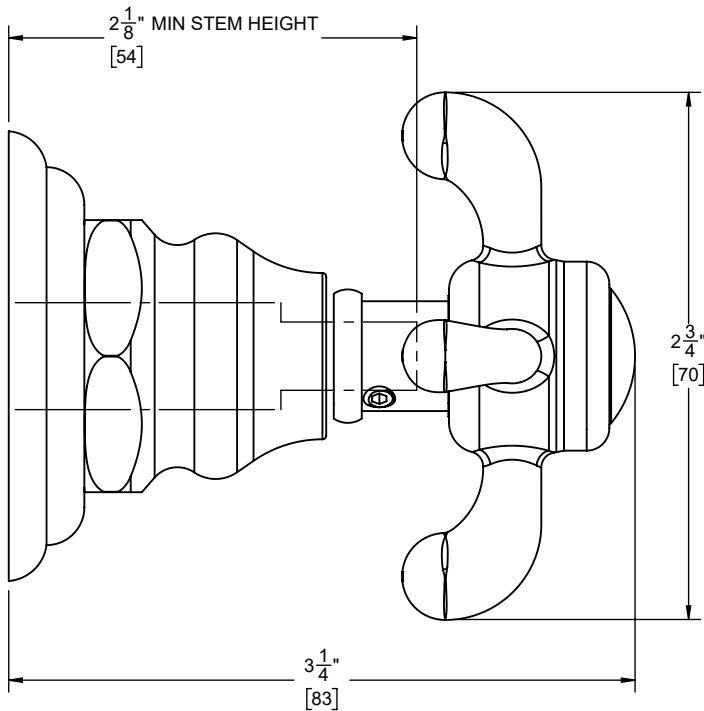
- Available in 28 finishes including 13 PVD finishes
- All brass construction
- Base diameter 2-5/16"
- Use for wall stop, wall diverter or deck diverter
- Rough valve (50-W-R, 75-W-R, WDV-R, DDV-R) sold separately



Codes/Standards Applicable

Product meets or exceeds the following:

- ASME A112.18.1/CSA B125.1



THROUGH-HOLE SPECIFICATIONS

MIN	RECOMMENDED	MAX
Ø 1" [25]	Ø 1-3/8" [35]	Ø 1-1/2" [38]

DIMENSIONS SHOWN TO NEAREST 1/16"
[DIMENSIONS SHOWN TO NEAREST 1mm]