



California Faucets®

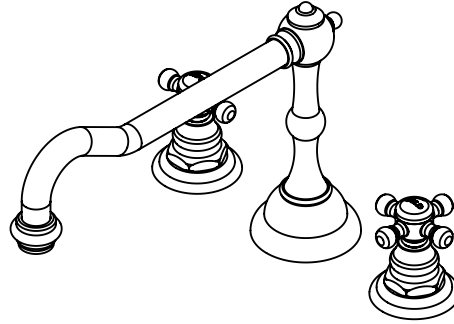
# Humboldt™

## ROMAN TUB SET TRIM

TO-6108

### Features

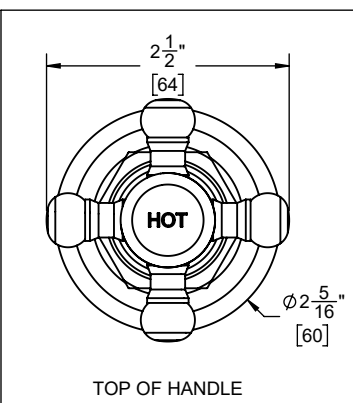
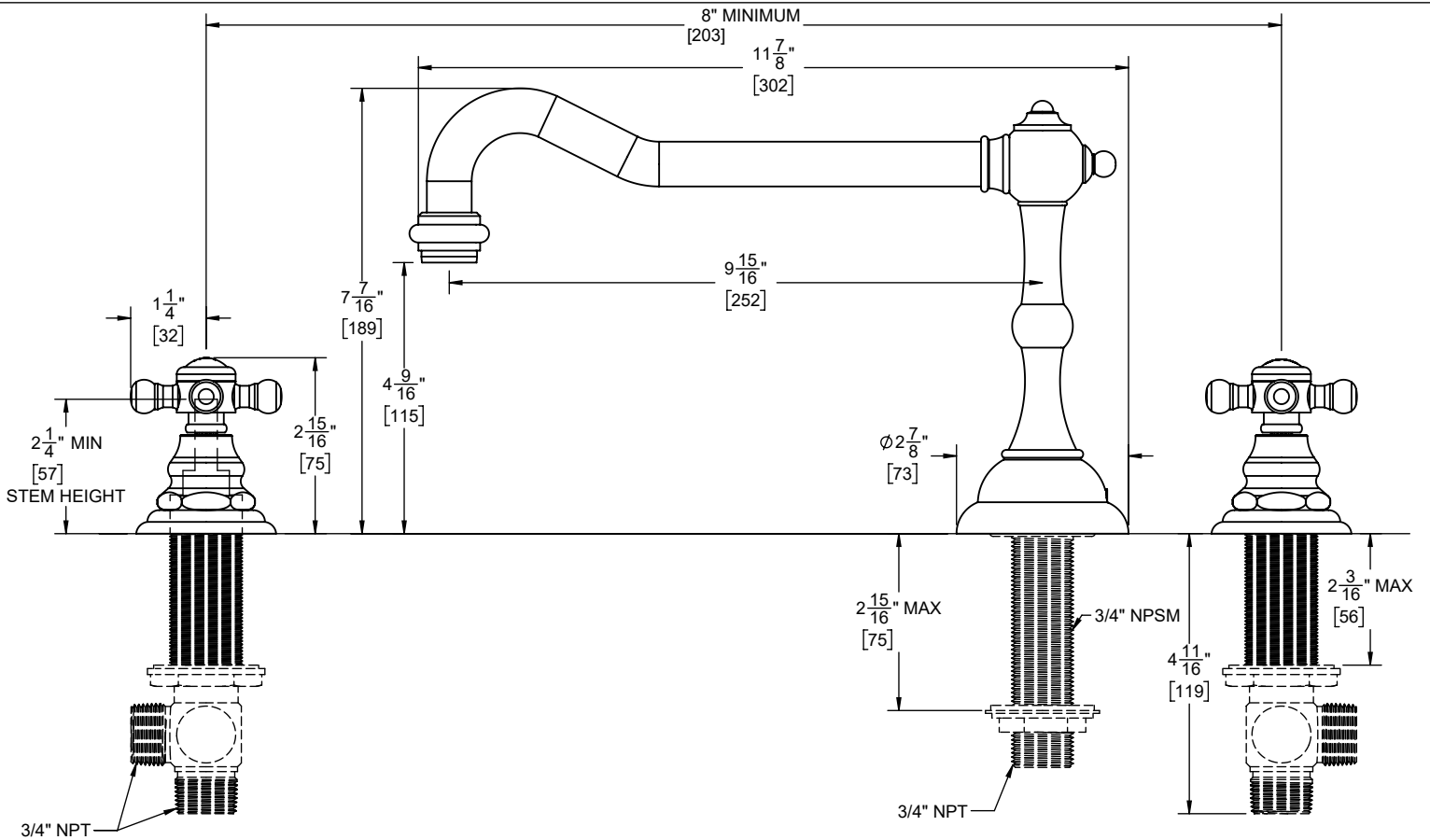
- Available in 28 finishes including 13 PVD finishes
- All brass construction
- 9-15/16" spout center to center
- Spout has easy Quick Connect fitting
- 16 gpm (60.6 L/min) max flow rate at 60 psi
- Requires rough valve (08-75-99) sold separately



### Codes/Standards Applicable

Product meets or exceeds the following:

- ASME A112.18.1/CSA B125.1



THROUGH-HOLE SPECIFICATIONS			
	MIN	RECOMMENDED	MAX
SPOUT:	$\phi 1"$ [35]	$\phi 1-3/8"$ [35]	$\phi 1-5/8"$ [41]
VALVE:	$\phi 1-1/4"$ [32]	$\phi 1-3/8"$ [35]	$\phi 1-5/8"$ [41]

DIMENSIONS SHOWN TO NEAREST 1/16"  
[DIMENSIONS SHOWN TO NEAREST 1mm]

SPECIFICATIONS SUBJECT TO CHANGE WITHOUT NOTICE