



California Faucets®

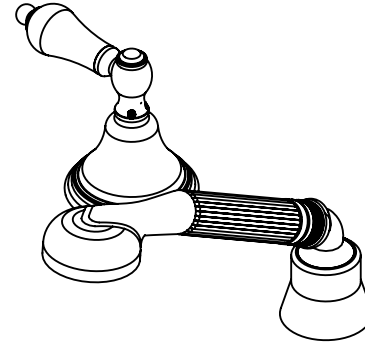
CORONADO

DECK DIVERTER TRIM

Features

- Available in 28 finishes including 13 PVD finishes
- All brass construction
- Handshower: 1/2" MIP inlet with self-clean rubber jets
- Handshower: max flow rate:
2.0 gpm (7.6 L/m)
1.8 gpm (6.8 L/m)
- Handshower elbow: 1/2" FIP swivel nut with 1/2" MIP inlet
- Hose: 84" Black poly braided hose. Provides durable, quiet & no damage to trim finish during operation
- Diverter valve (DDV-R) sold separately

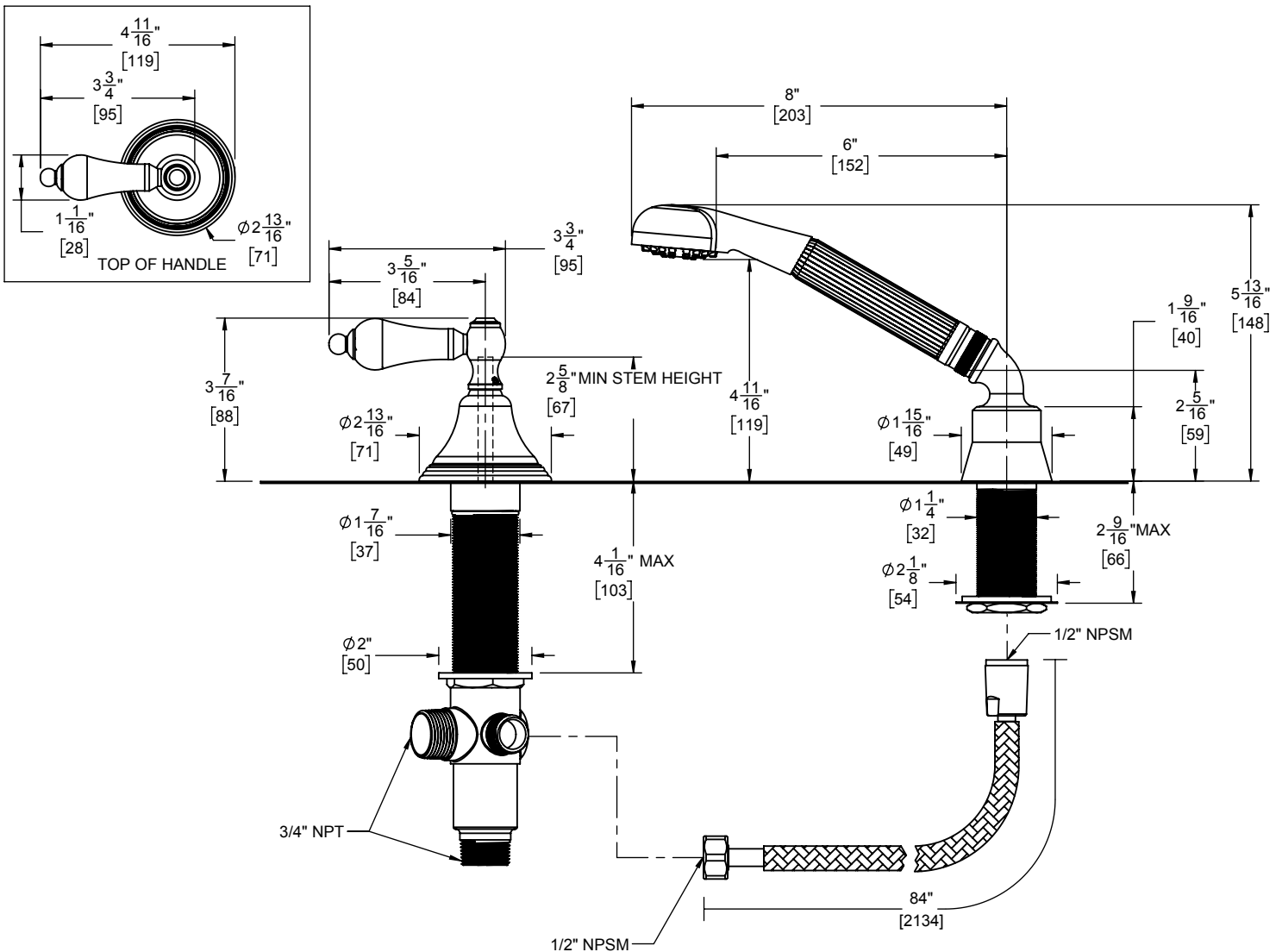
TO-55.15.18
TO-55.15.20



Codes/Standards

Product meets or exceeds the following:

- ASME A112.18.1/CSA B125.1
- ADA
- EPA WaterSense handshower (2.0 gpm)



THROUGH-HOLE SPECIFICATIONS			
	MIN	RECOMENDED	MAX
SHOWER:	Ø 1-1/4" [32]	Ø 1-1/4" [32]	Ø 1-11/16" [43]
VALVE:	Ø 1-7/16" [37]	Ø 1-1/2" [38]	Ø 1-3/4" [44]

DIMENSIONS SHOWN TO NEAREST 1/16"
[DIMENSIONS SHOWN TO NEAREST 1mm]

SPECIFICATIONS SUBJECT TO CHANGE WITHOUT NOTICE