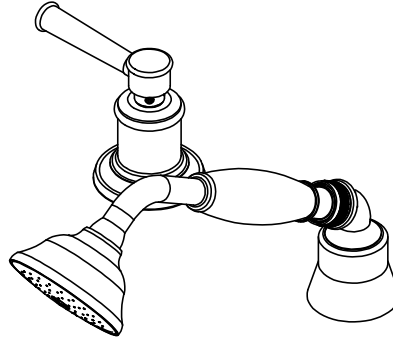




**Features**

- Handshower: 1/2" MIP inlet with self-clean rubber jets
- Handshower: max flow rate:  
2.0 gpm (TO-48.13M.20 & WE-TO-48.13M)  
2.5 gpm (TO-48.13M.25 & TO-48.13M)
- Handshower elbow: 1/2" FIP swivel nut with 1/2" MIP inlet
- Hose: 84" Black poly braided hose. Provides durable, quiet & no damage to trim finish during operation
- Solid brass construction
- Over 30 finishes including 15 PVD finishes
- Anti-siphon diverter valve (DDV-R) sold separately

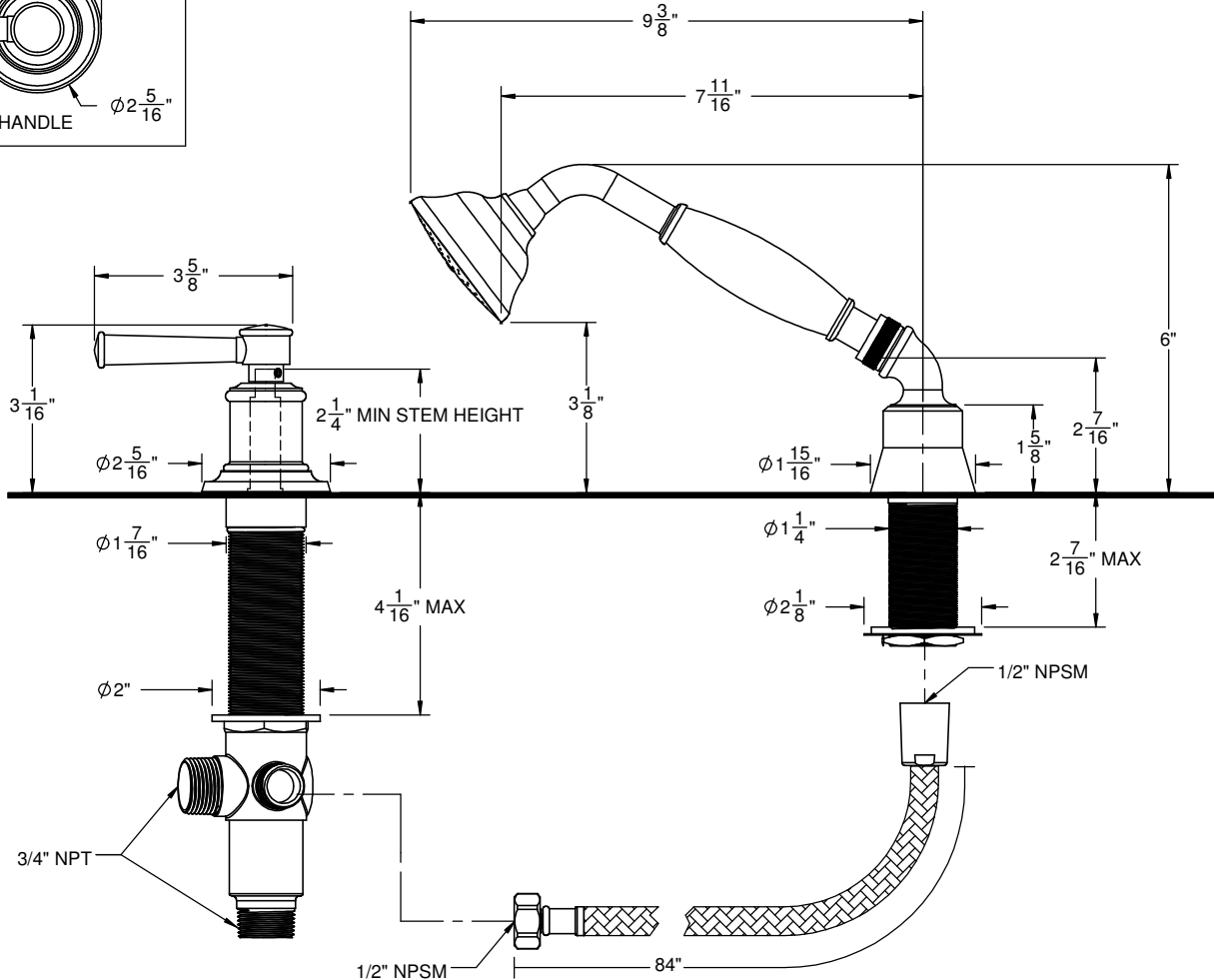
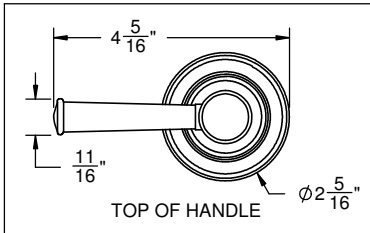
TO-48.13M.20  
TO-48.13M.25  
WE-TO-48.13M  
TO-48.13M



**Codes/Standards Applicable**

Meets or exceeds the following at date of manufacture:

- ASME A112.18.1/CSA B125.1
- CEC (2.0 gpm)



THROUGH-HOLE SPECIFICATIONS			
	MIN	RECOMMENDED	MAX
SHOWER:	Ø 1-1/4"	Ø 1-1/4"	Ø 1-11/16"
VALVE:	Ø 1-7/16"	Ø 1-1/2"	Ø 1-3/4"

ALL DIMENSIONS SHOWN TO NEAREST 1/16"