



California Faucets®

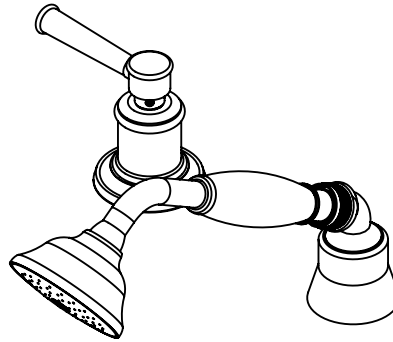
Miramar™

DECK DIVERTER TRIM

Features

- Available in 28 finishes including 13 PVD finishes
- All brass construction
- Handshower: 1/2" MIP inlet with self-clean rubber jets
- Handshower elbow: 1/2" FIP swivel nut with 1/2" MIP inlet
- Hose: 84" poly braided hose. Provides durable, quiet & no damage to trim finish during operation
- Available max flow rates:
 - 1.8 gpm (6.8 L/min)
 - 2.0 gpm (7.6 L/min)
- Diverter valve (DDV-R) sold separately

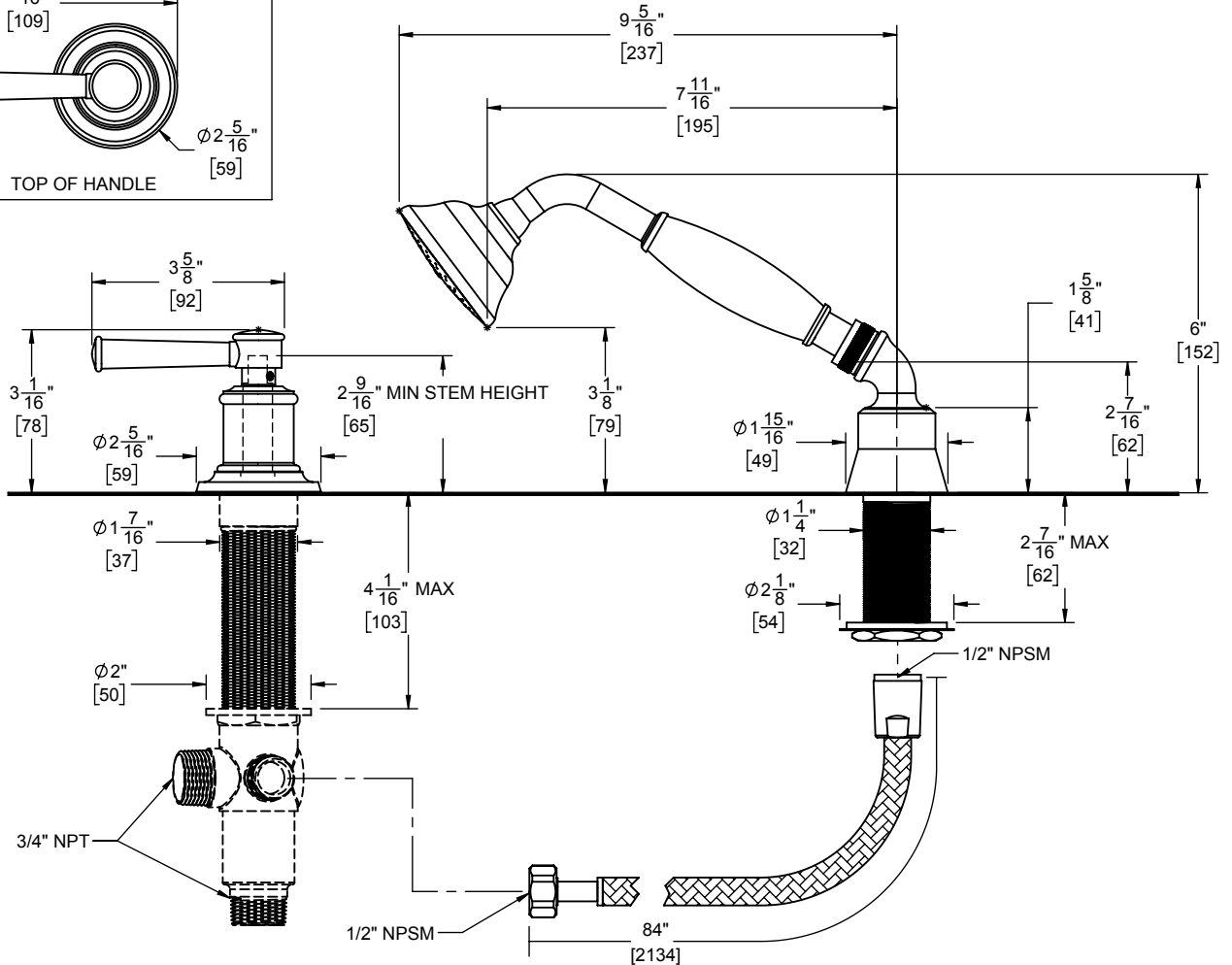
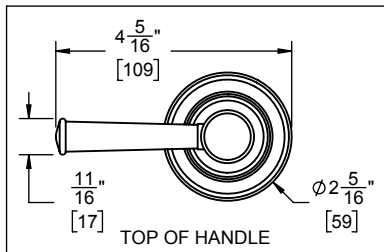
TO-48.13M.18
TO-48.13M.20



Codes/Standards Applicable

Meets or exceeds the following at date of manufacture:

- ASME A112.18.1/CSA B125.1
- CEC
- EPA WaterSense handshower (2.0 gpm)



THROUGH-HOLE SPECIFICATIONS		
MIN	RECOMMENDED	MAX
SHOWER: ϕ 1-1/4" [32]	ϕ 1-1/4" [32]	ϕ 1-11/16" [43]
VALVE: ϕ 1-7/16" [37]	ϕ 1-1/2" [38]	ϕ 1-3/4" [44]

DIMENSIONS SHOWN TO NEAREST 1/16"
[DIMENSIONS SHOWN TO NEAREST 1mm]