



California Faucets®

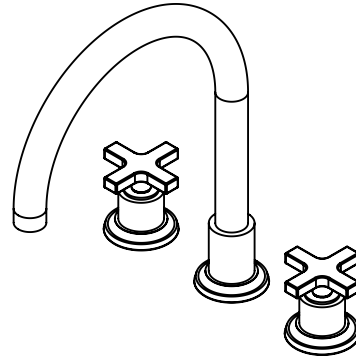
Rincon Bay™

Roman Tub Trim

TO-4508AX

Features

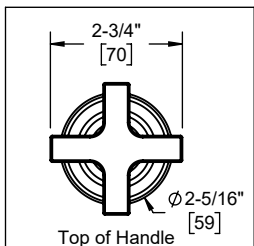
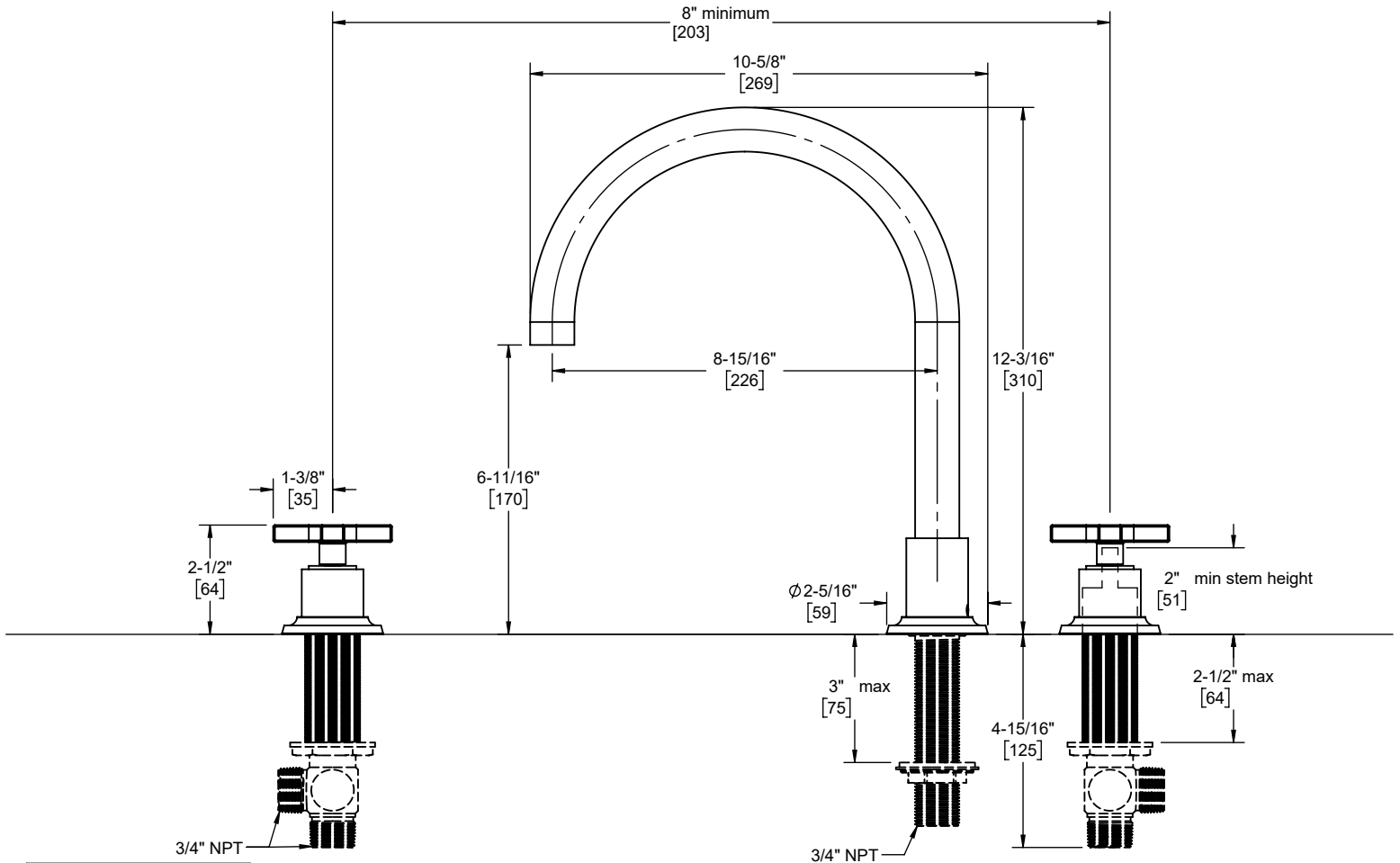
- Available in 28 finishes including 13 PVD finishes
- All brass construction
- Spout has easy Quick Connect fitting
- 16gpm (60.6 L/min) max flow rate
- Rough valves & Quick Connect (08-75-99) sold separately



Codes/Standards

Product meets or exceeds the following:

- ASME A112.18.1/CSA B125.1



Through-Hole Specifications			
	Min	Recommended	Max
Spout:	Ø 1" [25]	Ø 1-3/8" [35]	Ø 1-5/8" [41]
Valve:	Ø 1-1/4" [32]	Ø 1-3/8" [35]	Ø 1-5/8" [41]

Dimensions are inches, rounded to 1/16"
[Dimensions in brackets are mm, rounded to 1mm]

Specifications subject to change without notice