



California Faucets®

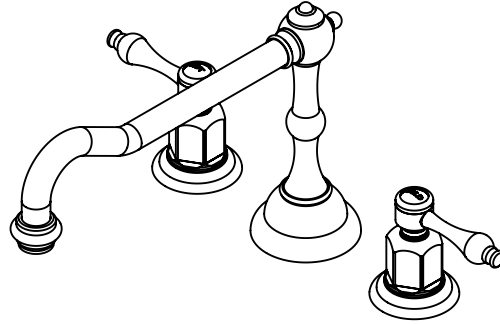
Salinas™

ROMAN TUB SET TRIM

TO-3608

Features

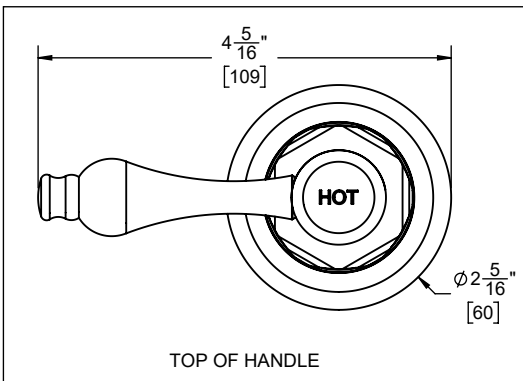
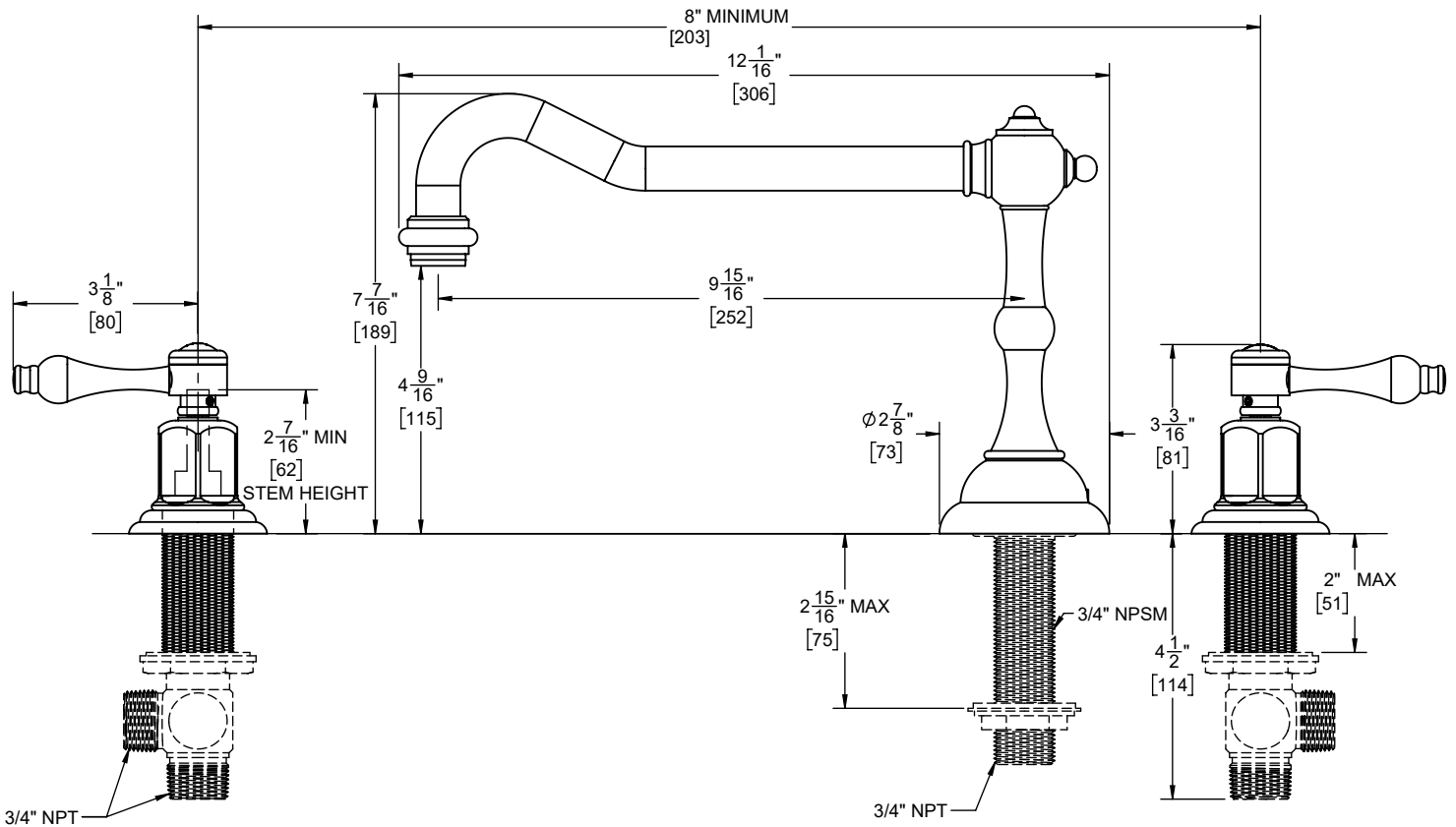
- Available in 28 finishes including 13 PVD finishes
- All brass construction
- 9-15/16" spout center to center
- Spout has easy Quick Connect fitting
- 16 gpm (60.6 L/min) max flow rate at 60 psi
- Requires rough valve (08-75-99) sold separately



Codes/Standards Applicable

Product meets or exceeds the following:

- ASME A112.18.1/CSA B125.1
- ADA compliant



| THROUGH-HOLE SPECIFICATIONS |              |              |              |
|-----------------------------|--------------|--------------|--------------|
|                             | MIN          | RECOMMENDED  | MAX          |
| SPOUT:                      | Ø1" [35]     | Ø1-3/8" [35] | Ø1-5/8" [41] |
| VALVE:                      | Ø1-1/4" [32] | Ø1-3/8" [35] | Ø1-5/8" [41] |

SPECIFICATIONS SUBJECT TO CHANGE WITHOUT NOTICE

DIMENSIONS SHOWN TO NEAREST 1/16"  
[DIMENSIONS SHOWN TO NEAREST 1mm]