



California Faucets®

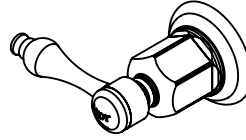
**Salinas™**

**TWO HANDLE TUB OR SHOWER TRIM**

**TO-3606L**

**Features**

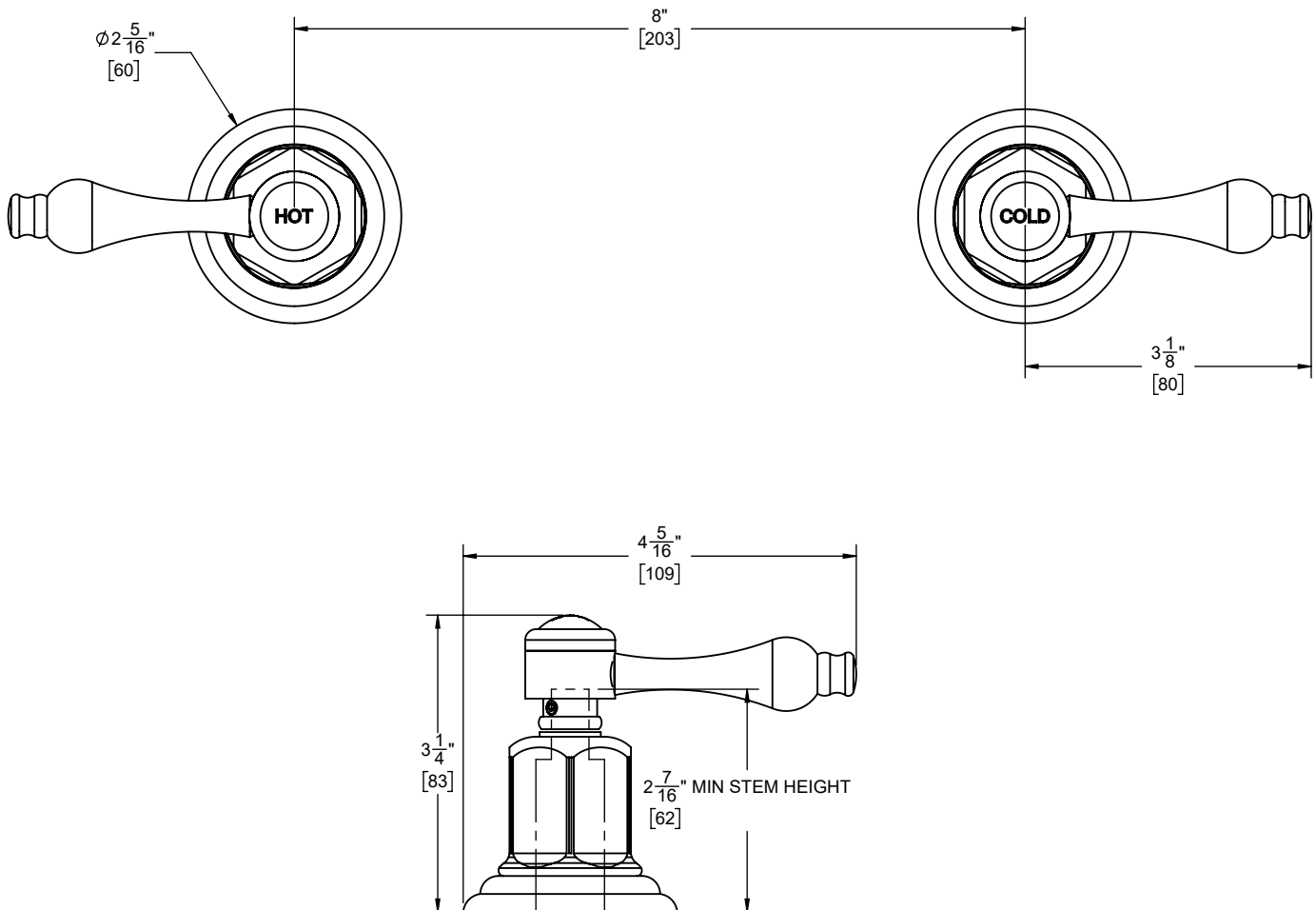
- Available in 28 finishes including 13 PVD finishes
- All brass construction
- Less head, arm, flange, and spout
- Requires rough valve: 2-VR or VL-R(sold separately)



**Codes/Standards Applicable**

Product meets or exceeds the following:

- ASME A112.18.1/CSA B125.1
- ADA compliant



THROUGH-HOLE SPECIFICATIONS		
MIN	RECOMMENDED	MAX
$\phi 1"$ [25]	$\phi 1\text{-}3/8"$ [35]	$\phi 1\text{-}1/2"$ [38]

DIMENSIONS SHOWN TO NEAREST 1/16"  
[DIMENSIONS SHOWN TO NEAREST 1mm]

SPECIFICATIONS SUBJECT TO CHANGE WITHOUT NOTICE