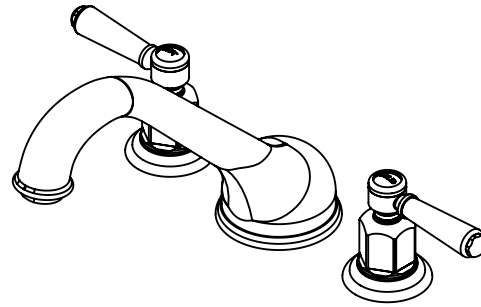




### Features

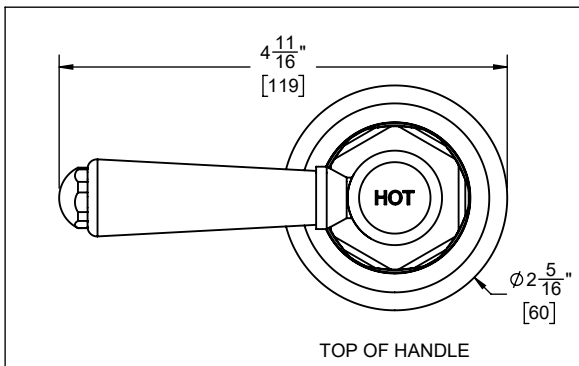
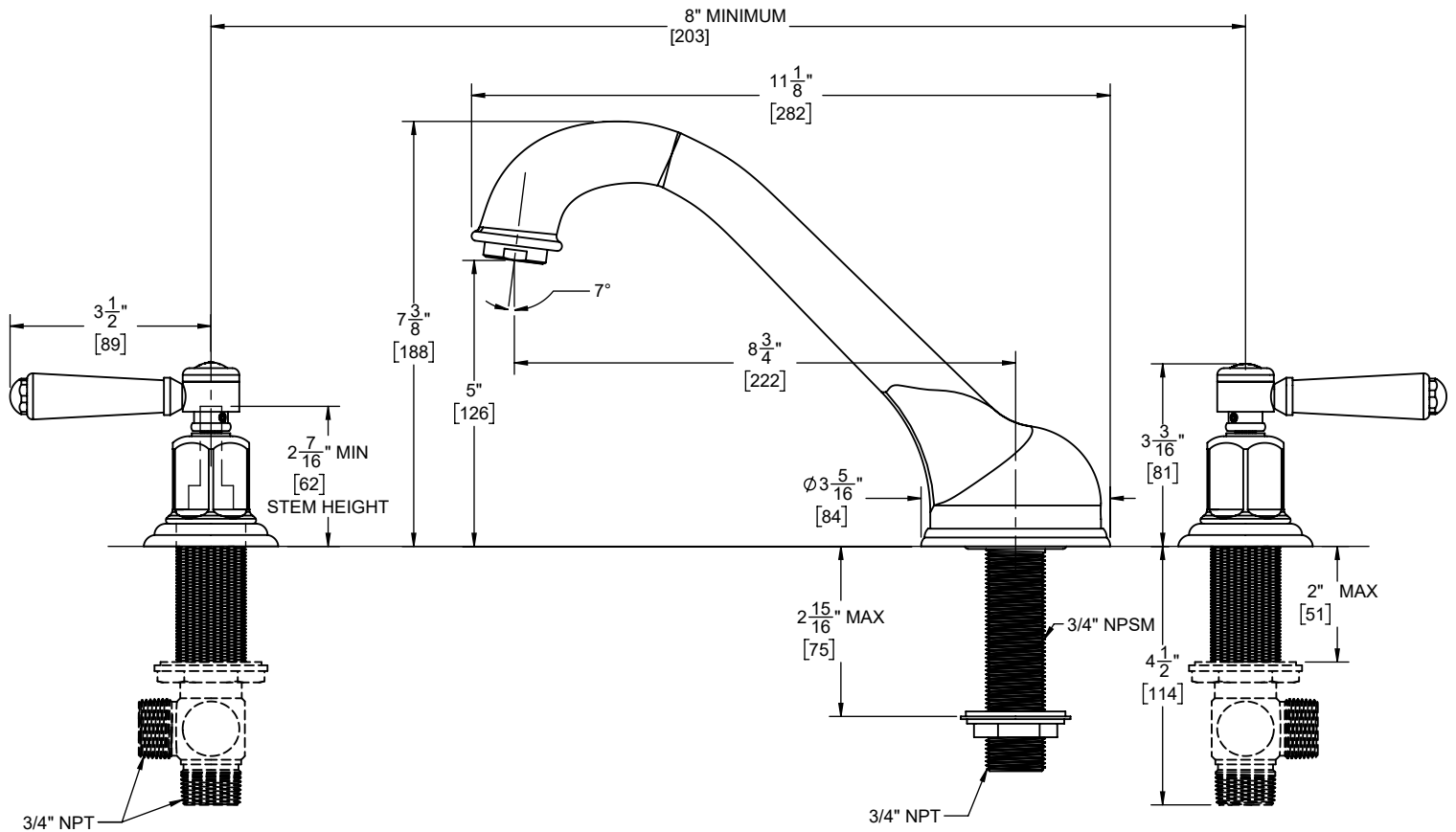
- Available in 28 finishes including 13 PVD finishes
- All brass construction
- 8-3/4" spout center to center
- Spout has easy Quick Connect fitting
- 16 gpm (60.6 L/min) max flow rate at 60 psi
- Requires rough valve (08-75-99) sold separately



### Codes/Standards Applicable

Product meets or exceeds the following:

- ASME A112.18.1/CSA B125.1
- ADA compliant



THROUGH-HOLE SPECIFICATIONS			
	MIN	RECOMMENDED	MAX
SPOUT: $\phi 1"$ [35]	$\phi 1\text{-}3/8"$ [35]	$\phi 1\text{-}5/8"$ [41]	$\phi 1\text{-}5/8"$ [41]
VALVE: $\phi 1\text{-}1/4"$ [32]	$\phi 1\text{-}3/8"$ [35]	$\phi 1\text{-}5/8"$ [41]	$\phi 1\text{-}5/8"$ [41]