



California Faucets®

Cardiff™

ROMAN TUB HANDSHOWER & DIVERTER TRIM

TO-34.15.20
TO-34.15.18

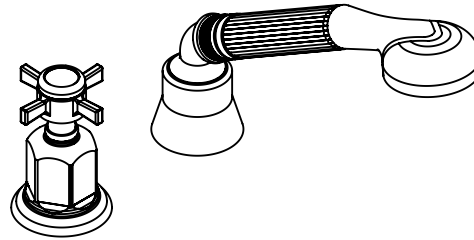
Features

- Available in 28 finishes including 13 PVD finishes
- All brass construction
- Handshower: 1/2" MIP inlet with self-clean rubber jets
- Max flow rate: 2.0 gpm (7.6 L/min) or 1.8 gpm (6.8L/min)
- Handshower elbow: 1/2" FIP swivel nut with 1/2" MIP inlet
- Hose: 84" black poly braided hose. Provides durable & quiet operation while not damaging trim finish
- Diverter valve (DDV-R) sold separately

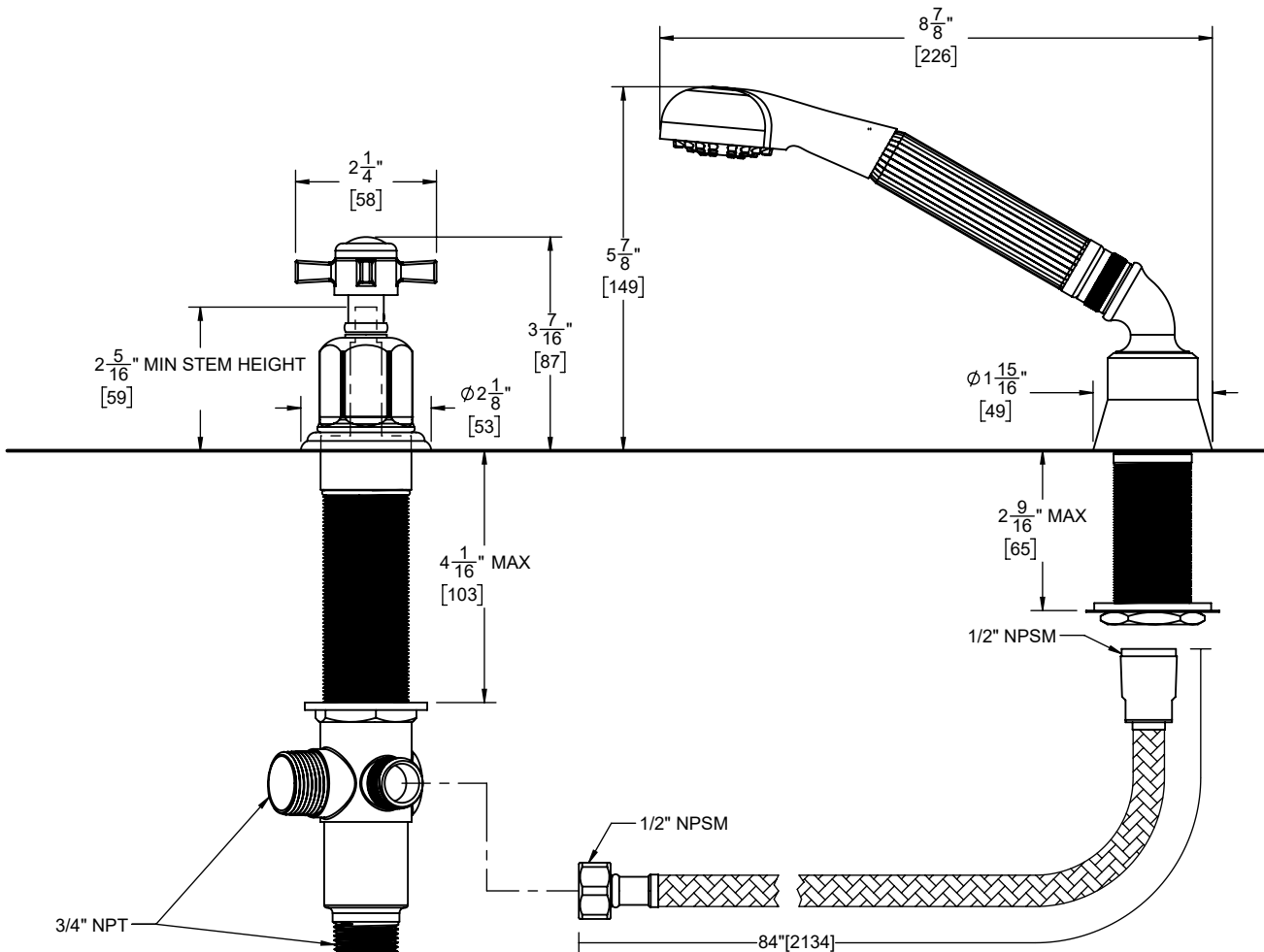
Codes/Standards Applicable

Product meets or exceeds the following:

- ASME A112.18.1/CSA B125.1
- CEC (1.8 gpm) / DOE (1.8 & 2.0 gpm)
- Commonwealth of MA
- EPA WaterSense handshower (2.0 gpm)



TO-34.15.FR-ZZ SHOWN



THROUGH-HOLE SPECIFICATIONS			
	MIN	RECOMMENDED	MAX
SHOWER:	$\phi 1\text{-}1/4"$ [32]	$\phi 1\text{-}1/4"$ [32]	$\phi 1\text{-}13/16"$ [46]
VALVE:	$\phi 1\text{-}7/16"$ [37]	$\phi 1\text{-}1/2"$ [38]	$\phi 1\text{-}3/4"$ [44]

DIMENSIONS SHOWN TO NEAREST 1/16"
[DIMENSIONS SHOWN TO NEAREST 1MM]

SPECIFICATIONS SUBJECT TO CHANGE WITHOUT NOTICE