



California Faucets®

Descanso®

ROMAN TUB SET TRIM

Features

- 8-15/16" spout center to center
- Spout has easy Quick Connect fitting
- 16 gpm (60.6 L/min) max flow rate at 60 psi
- Requires rough valve (08-75-65) sold separately
- All brass construction
- Over 30 finishes including 15 PVD finishes

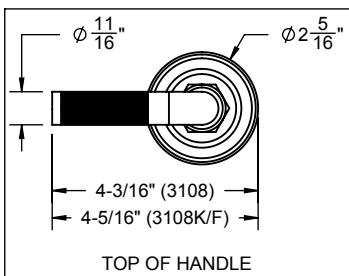
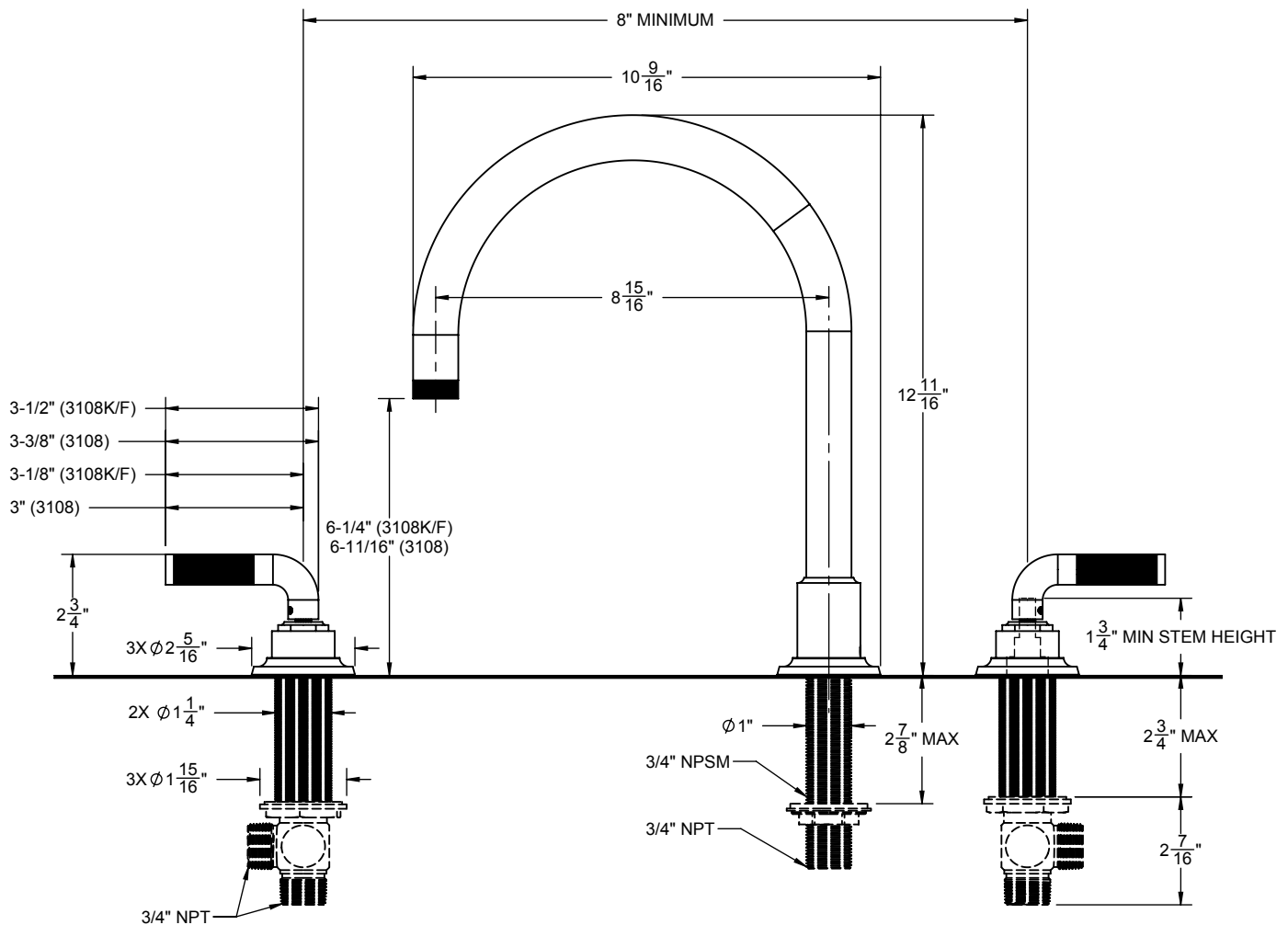
**TO-3108
TO-3108K
TO-3108F**



Codes/Standards Applicable

Product meets or exceeds the following:

- ASME A112.18.1/CSA B125.1
- ADA compliant



THROUGH-HOLE SPECIFICATIONS		
MIN	RECOMENDED	MAX
SPOUT: ϕ 1"	ϕ 1-3/8"	ϕ 1-5/8"
VALVE: ϕ 1-1/4"	ϕ 1-3/8"	ϕ 1-5/8"

SPECIFICATIONS SUBJECT TO CHANGE WITHOUT NOTICE

ALL DIMENSIONS SHOWN TO NEAREST 1/16"