

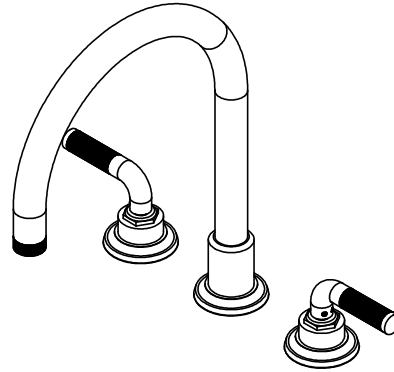
California Faucets®

# Descanso™

## ROMAN TUB SET TRIM

### Features

- 8-15/16" spout center to center
- Spout has easy Quick Connect fitting
- 16 gpm (60.6 L/min) max flow rate at 60 psi
- Requires rough valve (08-75-99) sold separately
- All brass construction
- Over 30 finishes including 15 PVD finishes



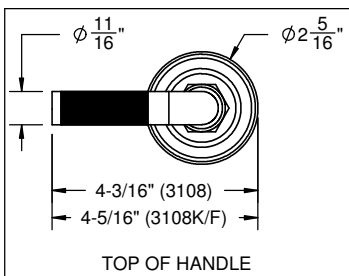
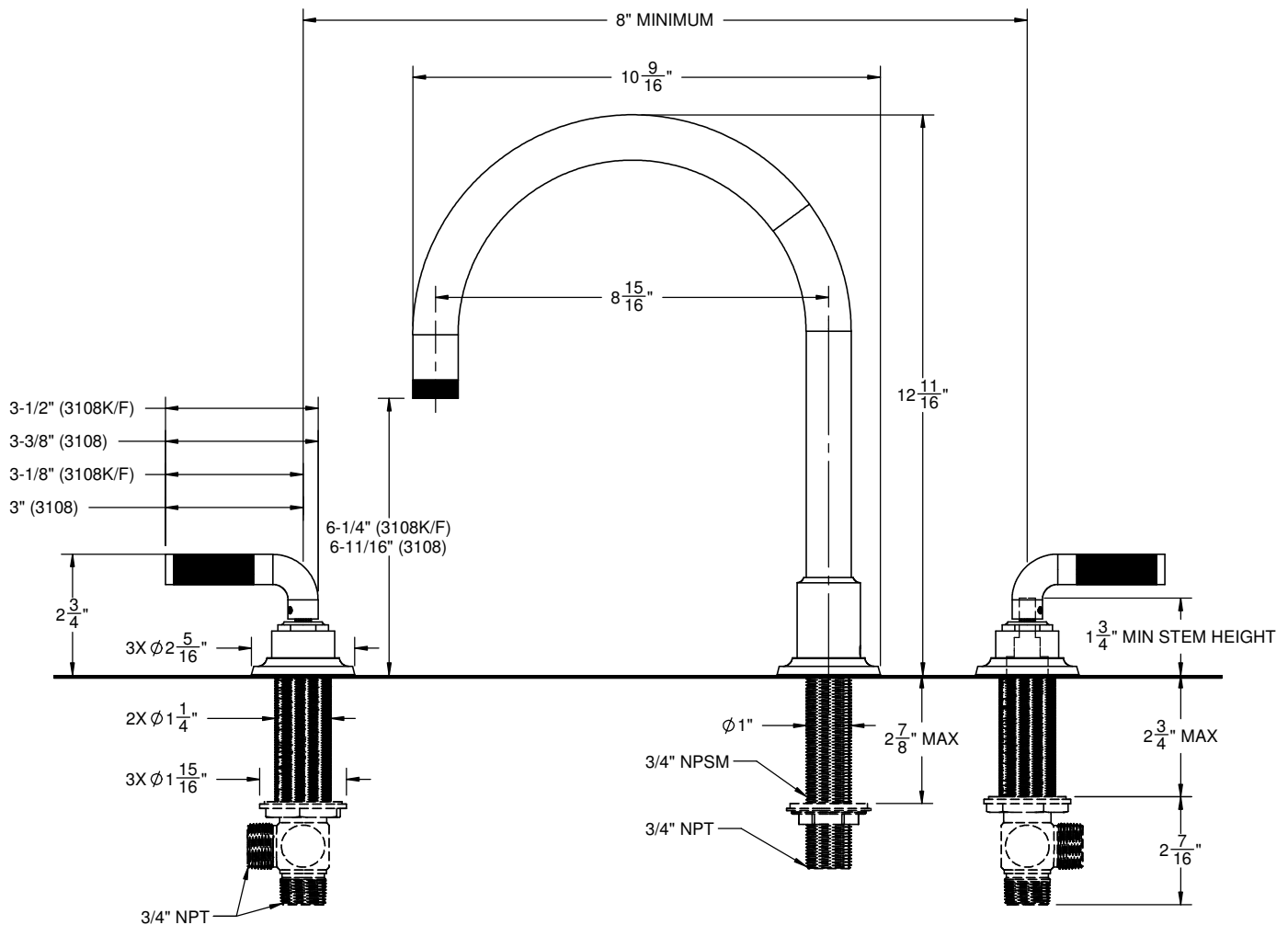
**TO-3108**  
**TO-3108K**  
**TO-3108F**

### Codes/Standards Applicable

Product meets or exceeds the following:

- ASME A112.18.1/CSA B125.1
- ADA compliant

TO-3108K-ZZ shown



THROUGH-HOLE SPECIFICATIONS		
MIN	RECOMENDED	MAX
SPOUT: $\phi 1"$	$\phi 1-3/8"$	$\phi 1-5/8"$
VALVE: $\phi 1-1/4"$	$\phi 1-3/8"$	$\phi 1-5/8"$

SPECIFICATIONS SUBJECT TO CHANGE WITHOUT NOTICE

ALL DIMENSIONS SHOWN TO NEAREST 1/16"