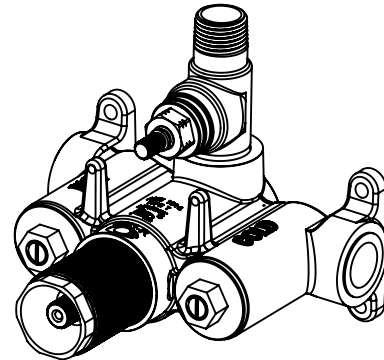




TH51-R

### Features

- Forged brass valve body construction
- Max flow rate: 10 gpm (37.9 L/m) @ 60 psi
- Integral service stops with check valves
- Single-handle temperature mixing
- Thermostatic anti-scald protection
- Genuine Vernet® mixing cartridge featuring
  - Polymer construction limits limescale build-up
  - Integrated filter screens
  - Paraffin wax element
- Single integral shut-off/volume control valve



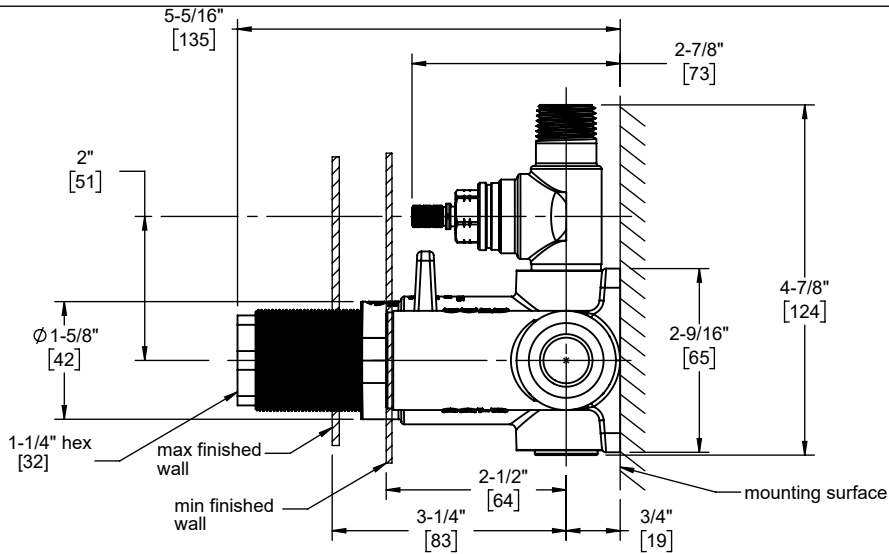
mudguard not shown



### Codes/Standards

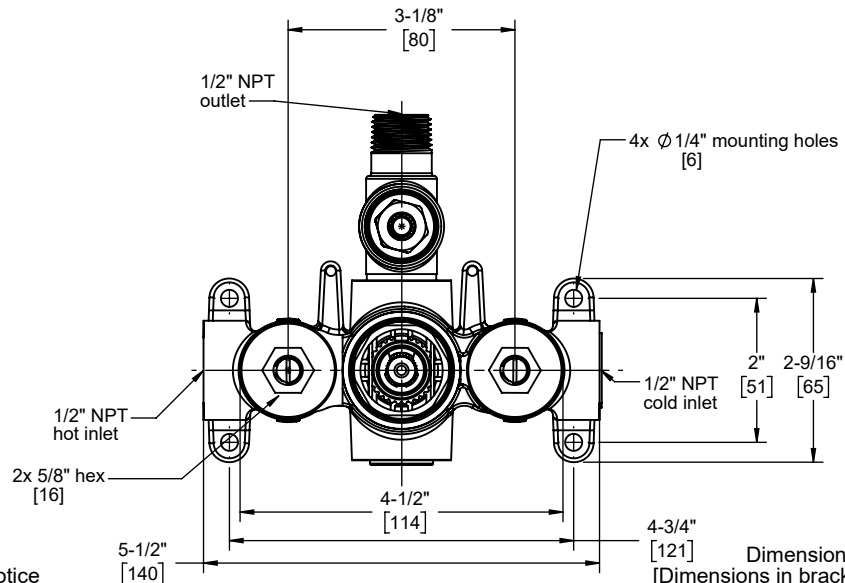
Product meets or exceeds the following:

- ASME A112.18.1/CSA B125.1
- ASSE 1016



side view

front view



Specifications subject to change without notice

Dimensions are inches, rounded to 1/16"  
[Dimensions in brackets are mm, rounded to 1mm]