



California Faucets®

TIBURON

DELUXE WALL VESSEL SPOUT

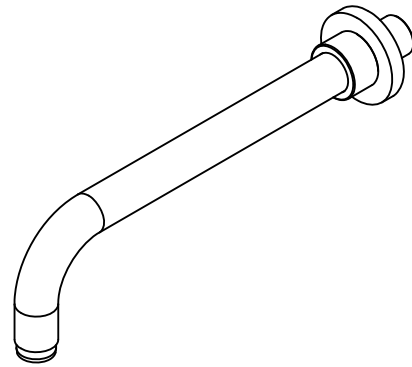
Features

- Solid brass construction
- Includes decorative base ring
- 1.2 gpm (4.5 L/min) max flow rate
- Rough valve (CF-VL-R) sold separately
- Over 28 finishes including 13 PVD finishes

Codes/Standards Applicable

Meets or exceeds the following at date of manufacture:

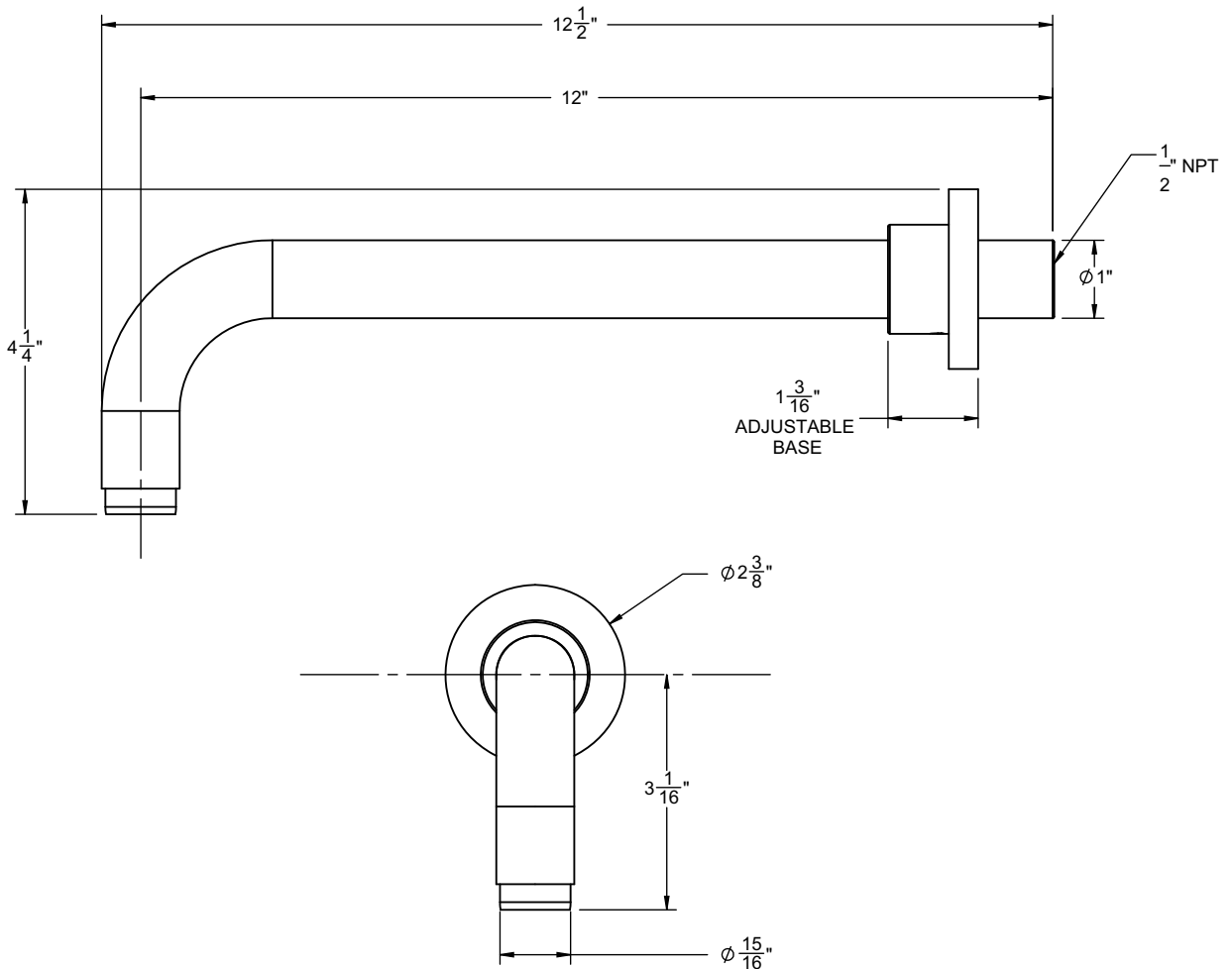
- ASME A112.18.12-2011/CSA B125.2-11



CF-VS-65

THROUGH-HOLE SPECIFICATIONS

MIN	RECOMENDED	MAX
Ø 1"	Ø 1"	Ø 1-15/16"



ALL DIMENSIONS SHOWN TO NEAREST 1/16"