

California Faucets®

**Descanso®**

**PULL-DOWN PREP/BAR FAUCET**

**Features**

- All brass construction
- 360° rotating spout
- Magnetic docking secures sprayhead into spout
- Sprayhead button switches between aerated and spray modes
- Spray jets have easy-to-clean surface that withstands mineral build-up
- Quiet polymer-braided hose with rotating joint at sprayhead allows for smooth and non-binding use
- Ceramic disc cartridge
- Max flow rate: 1.8 gpm (6.8 L/min)
- Over 30 finishes including 15 PVD finishes

**Codes/Standards Applicable**

Product meets or exceeds the following:

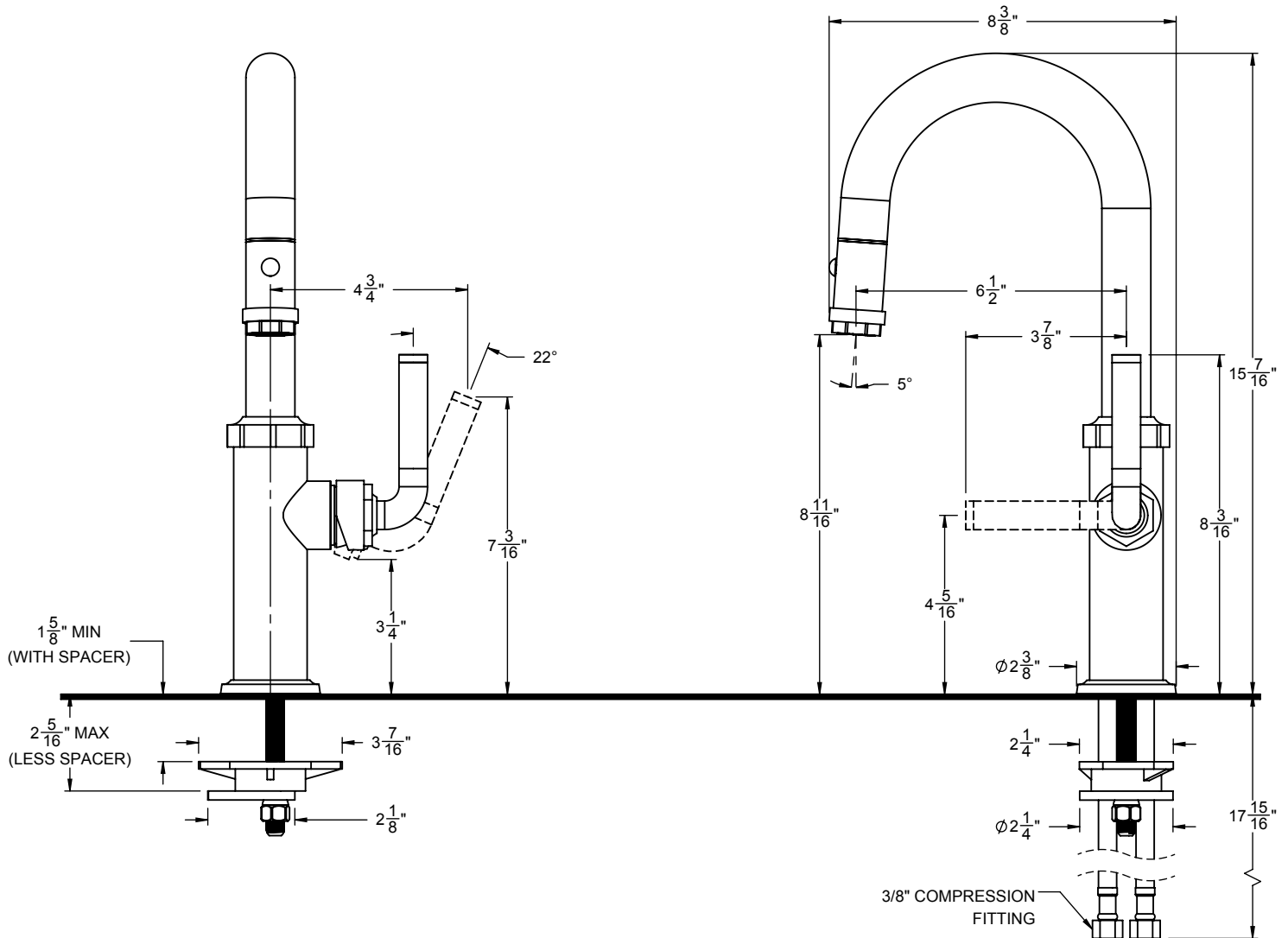
- ASME A112.18.1/CSA B125.1
- NSF 61 and NSF 372
- CEC / DOE
- Commonwealth of MA
- ADA Compliant

**CF-K30-101-FL**  
**CF-K30-101-KL**  
**CF-K30-101-SL**



CF-K30-101-FL shown

XX - DENOTES  
HANDLE STYLE



**THROUGH-HOLE SPECIFICATIONS**

MIN	RECOMMENDED	MAX
Ø 1-1/4"	Ø 1-3/8"	Ø 1-3/8"

SPECIFICATIONS SUBJECT TO CHANGE WITHOUT NOTICE

ALL DIMENSIONS SHOWN TO NEAREST 1/16"