



California Faucets®

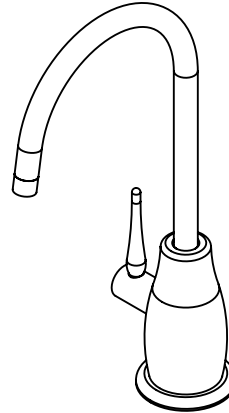
KITCHEN

TRANSITIONAL HOT ONLY WATER DISPENSER

Features

- Over 28 finishes including 13 PVD finishes
- All brass construction
- 360° rotating spout
- Insulated body and spout to reduce heat transfer to faucet
- Self-closing handle
- Max flow rate: 1.8 gpm (6.8 L /min); flow rate may vary based on hot water tank used
- Faucet is **not** compatible with RO filter unit
- Requires Hot Water Tank (9628SS) sold separately

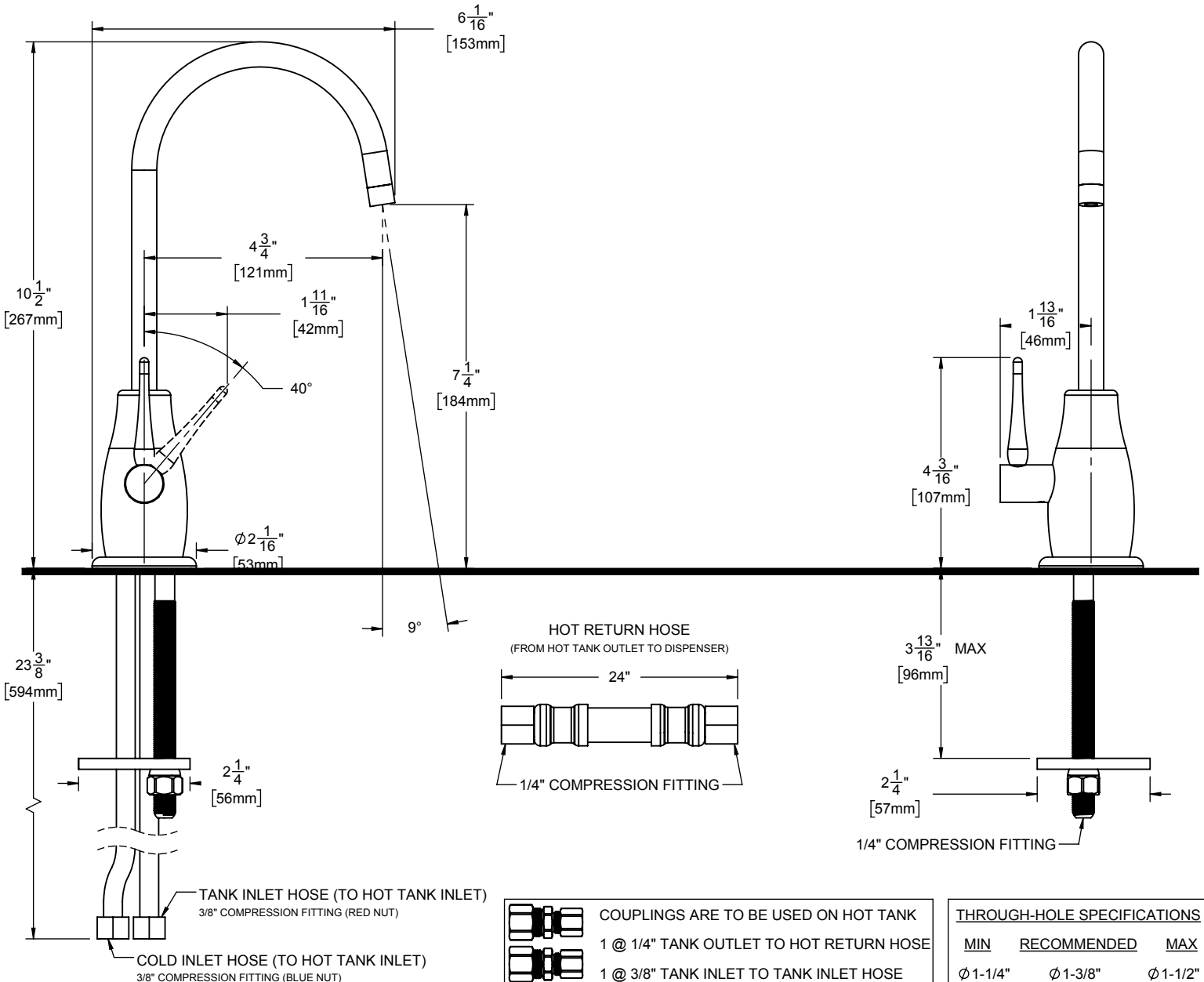
CF-9625-K80



Codes/Standards Applicable

Product meets or exceeds the following:

- ASME A12.18.1/CSA B125.1
- NSF 61 and NSF 372
- CEC/DOE
- Commonwealth of MA
- ADA compliant



SPECIFICATIONS SUBJECT TO CHANGE WITHOUT NOTICE

ALL DIMENSIONS SHOWN TO NEAREST 1/16"