



California Faucets®

CHRISTOPHERGRUBB Collection

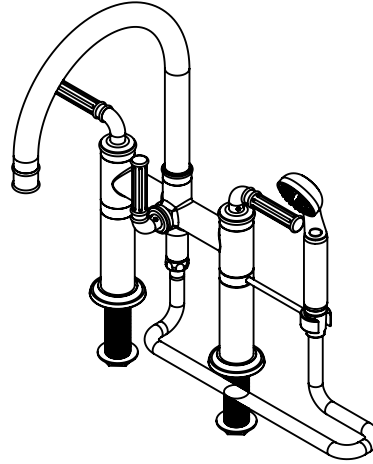
Trousdale™

Deck Mount tub Filler with Handshower

Features

- Available in 28 finishes including 13 PVD finishes
- All brass construction
- Tub filler maximum flow rate: 15 gpm (56.8 L/min) at 60 psi
- Handshower flow rate: 2.0 gpm (7.6 L/min) or 1.8 gpm (6.8 L/min)
- Handshower bracket may be placed on COLD or HOT side of body
- 1/4 turn ceramic disc cartridges

C108-ETD.18
C108-ETD.20
C108X-ETD.18
C108X-ETD.20
C108XS-ETD.18
C108XS-ETD.20



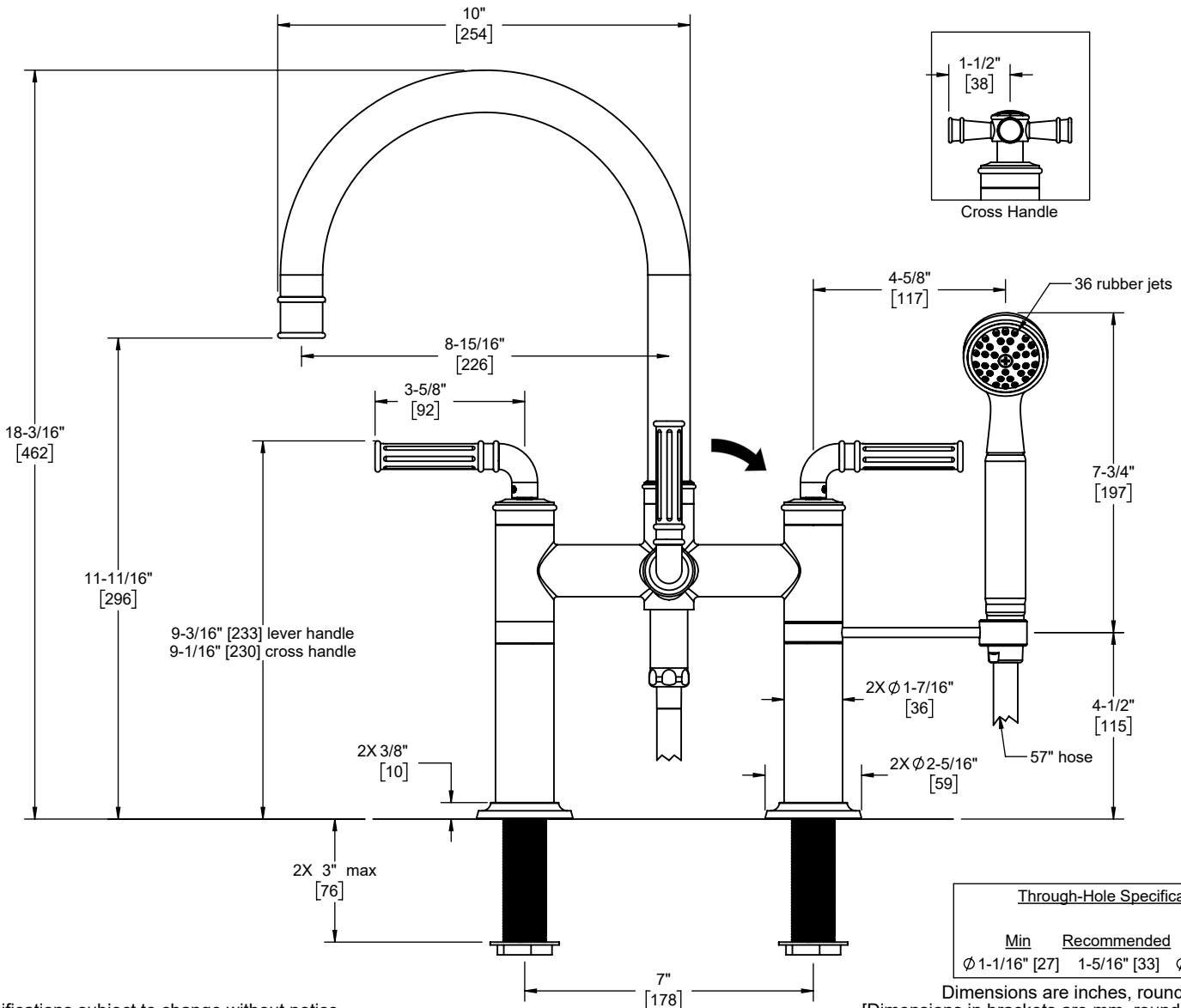
C108-ETD.FR shown



Codes/Standards

Product meets or exceeds the following:

- ASME A112.18.1/CSA B125.1
- CEC (1.8 gpm) / DOE (2.0 & 1.8 gpm)
- Commonwealth of MA
- EPA WaterSense Handshower (2.0 gpm)
- ADA compliant (lever handles only)
- Local codes may require installation of an upstream tempering valve



Specifications subject to change without notice