



California Faucets®

CHRISTOPHERGRUBB Collection

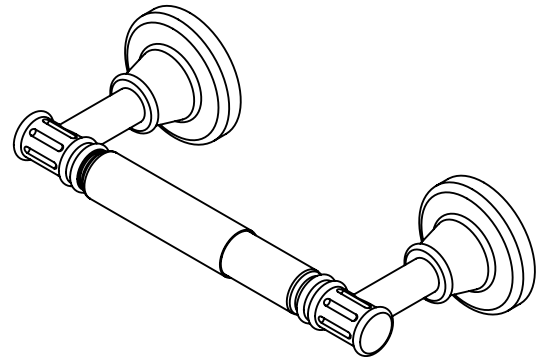
Trousdale™

Two Post Paper Holder

Features

- Available in 28 finishes including 13 PVD finishes
- All brass construction
- Includes all mounting hardware

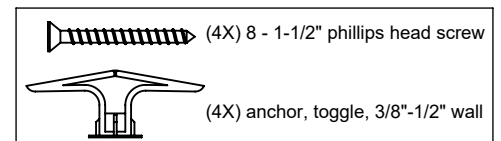
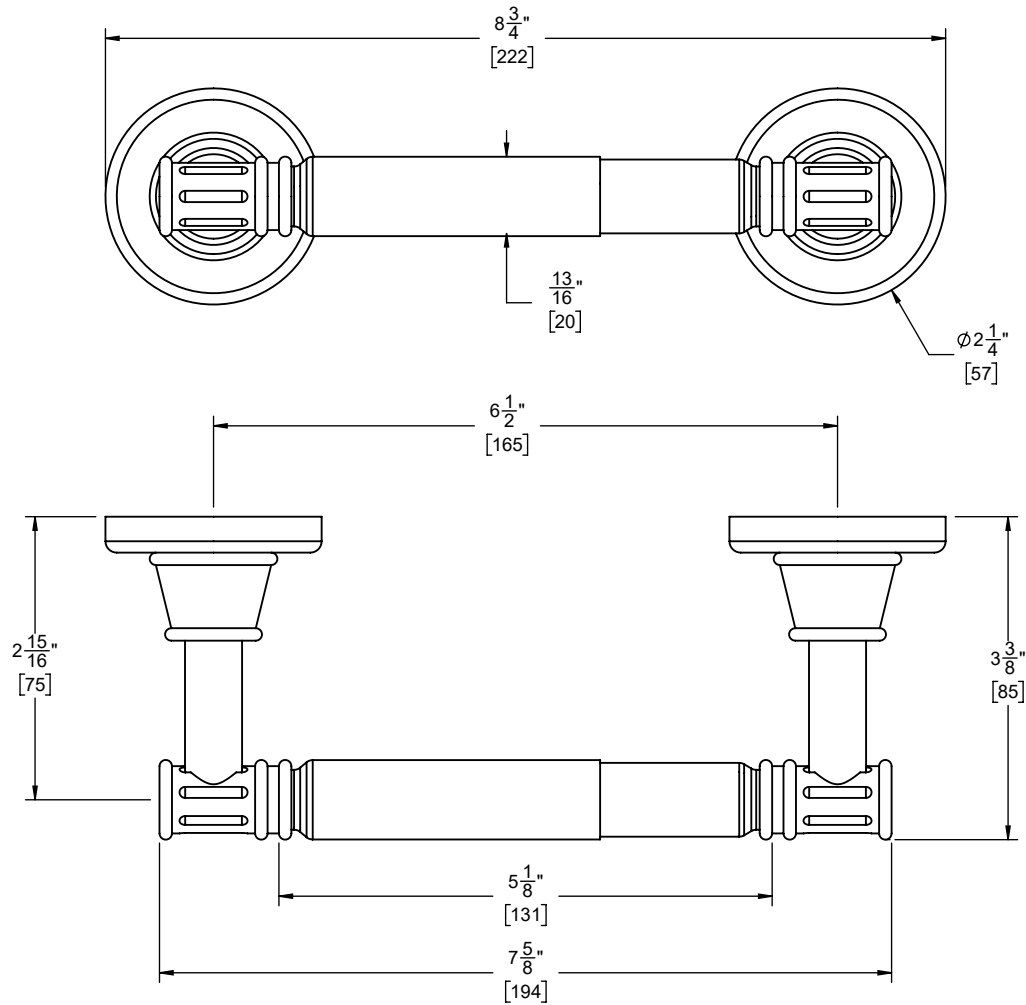
C1-TP



Codes/Standards

Product meets or exceeds the following:

- None applicable



Specifications subject to change without notice

Dimensions are inches, rounded to 1/16"
[Dimensions in brackets are mm, rounded to 1mm]