

California Faucets®

Descanso®

Industrial Cold Only Water Dispenser

Features

- Available in 28 finishes including 13 PVD finishes
- All brass construction
- 1/4" compression inlet
- Max flow rate: 1.8 gpm (6.8 L/min)
- Ceramic disc cartridge
- **Not** compatible with RO filter units

9620-K30-FL
9620-K30-KL
9620-K30-SL



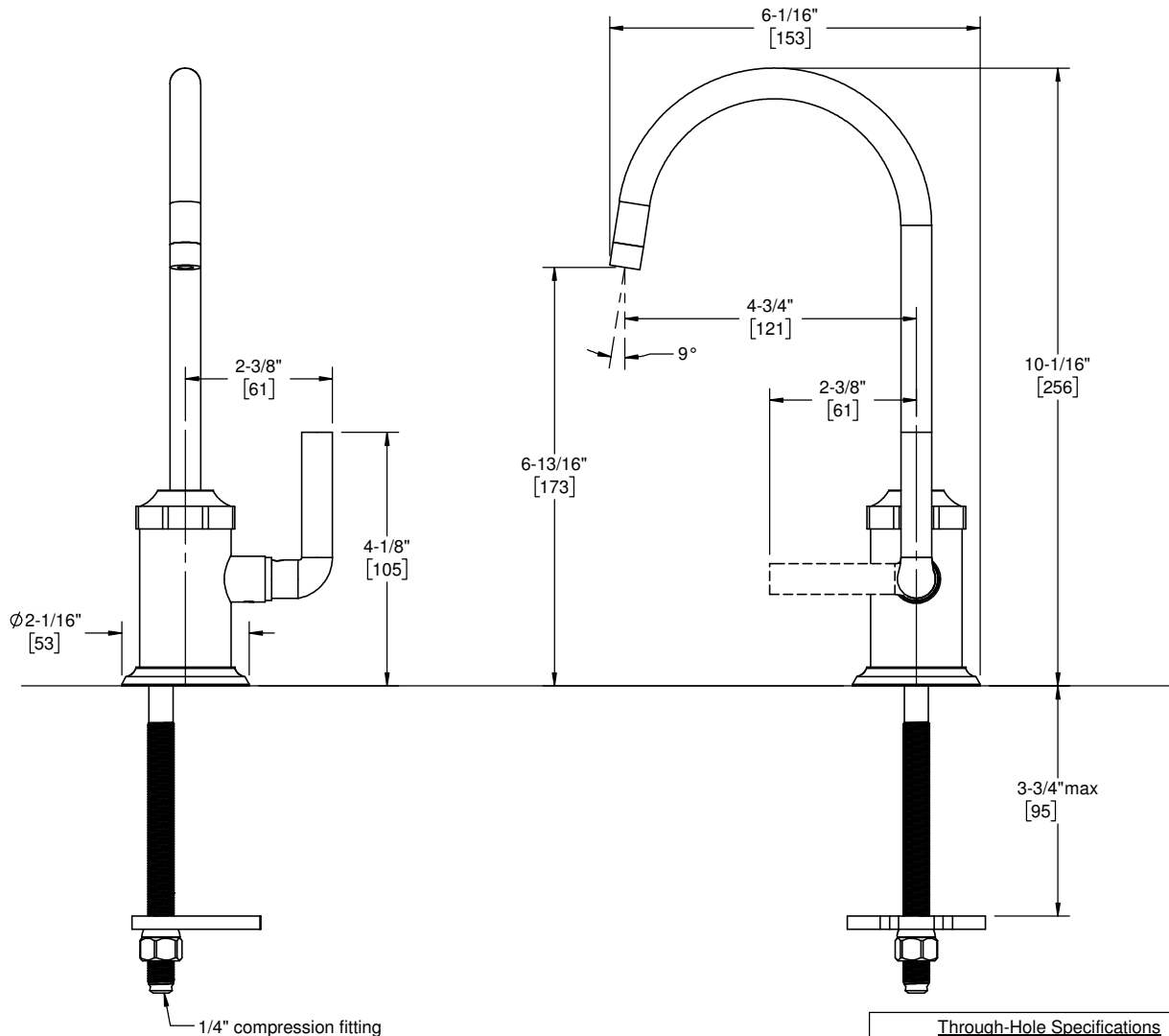
9620-K30-SL shown XX = Series Handle



Codes/Standards Applicable

Product meets or exceeds the following:

- ASME A112.18.1/CSA B125.1
- NSF 61, NSF 372, CEC, & DOE
- Commonwealth of MA
- ADA compliant



Through-Hole Specifications		
Min	Recommended	Max
Ø 1/2" [13]	Ø 1" [25]	Ø 1-1/2" [38]

Specifications subject to change without notice

Dimensions are inches, rounded to 1/16"
[Dimensions in brackets are mm, rounded to 1mm]