



California Faucets®

# KITCHEN

## CONTEMPORARY AIR SWITCH FOR WASTE DISPOSAL

### 9610-K50

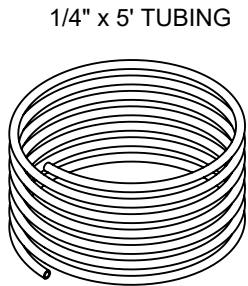
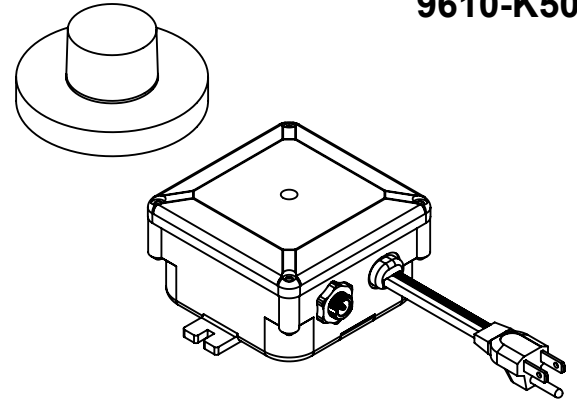
### Features

- Available in 28 finishes including 13 PVD finishes
- All brass trim (button & flange)
- Includes 5' flexible tubing
- Control box has dual outlets
- One outlet is always "ON" except when air switch is activated
- 13A (non-inductive) @ 120V AC
- 1/2 HP (.373 kW) @ 120V AC
- 50-60 Hz

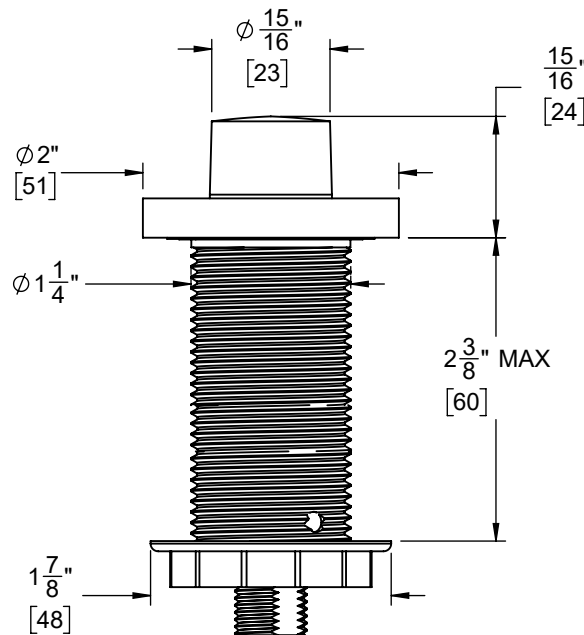
### Codes/Standards Applicable

Product meets or exceeds the following:

- UL listed U.S. and Canada (control box)



1/4" x 5' TUBING



THROUGH-HOLE SPECIFICATIONS		
MIN	RECOMENDED	MAX
$\phi 1\text{-}1/4$ " [32]	$\phi 1\text{-}1/4$ " [32]	$\phi 1\text{-}3/8$ " [35]

