



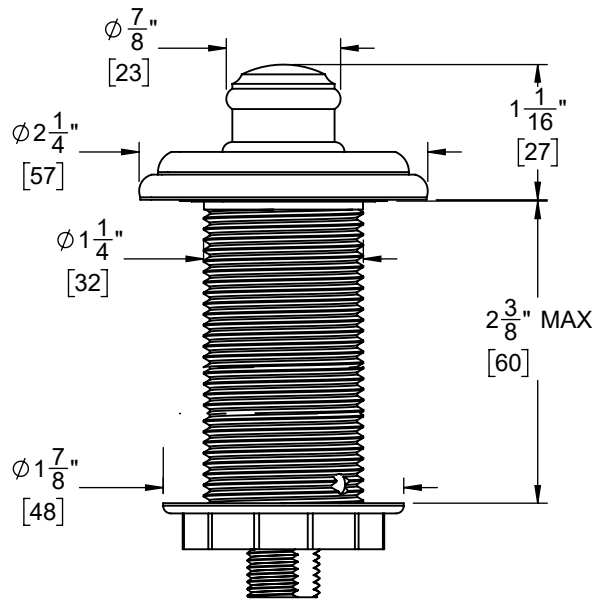
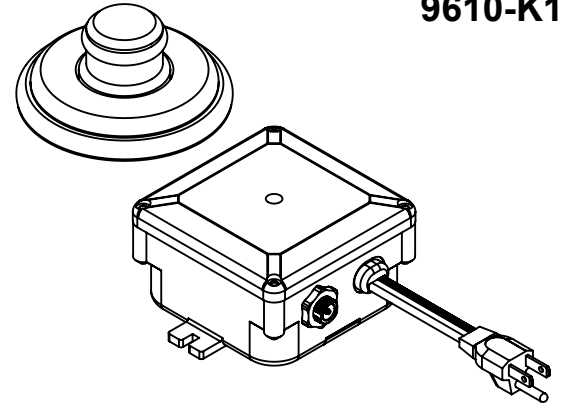
Features

- Available in 28 finishes including 13 PVD finishes
- All brass trim (button & flange)
- Includes 5' flexible tubing
- Control box has dual outlets
- One outlet is always "ON" except when air switch is activated
- 13A (non-inductive) @ 120V AC
- 1/2 HP (.373 kW) @ 120V AC
- 50-60 Hz

Codes/Standards

Product meets or exceeds the following:

- UL listed U.S. and Canada (control box)



THROUGH-HOLE SPECIFICATIONS		
MIN	RECOMENDED	MAX
Ø 1-1/4" [32]	Ø 1-1/4" [32]	Ø 1-3/8" [35]

1/4" X 5' TUBING

