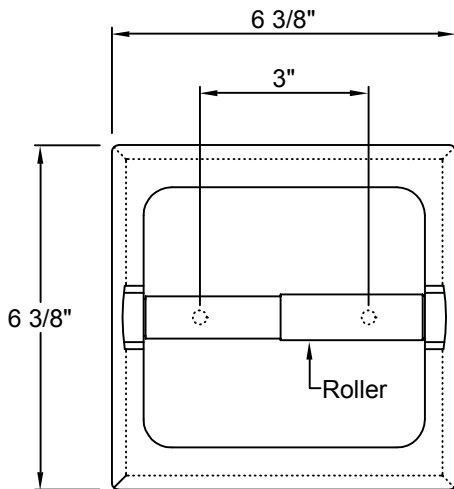
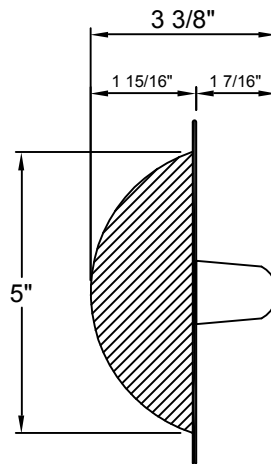


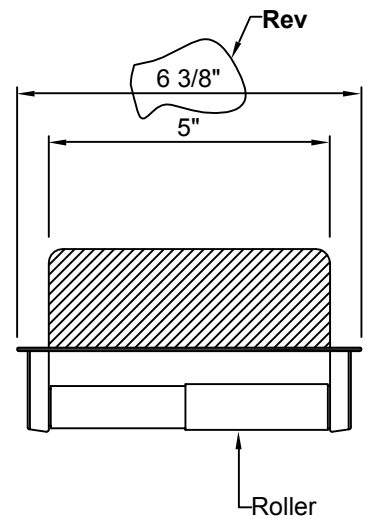
**Exploded View - Side**



**Front View**



**Side View**



**Top View**

**California Faucets®**  
 info@calfaucets.com  
 www.calfaucets.com

**FIXTURE:**  
**Recessed Toilet Paper Holder**

**MODEL #:** 9400

**DWG NO:**

**REV:**

REVISIONS

REV DATE

STARTING DATE: March 23, 2003

APPRVD DATE:

APPRVD BY:

SCALE: None

DRAWN BY: William Linares  
 william@calfaucets.com