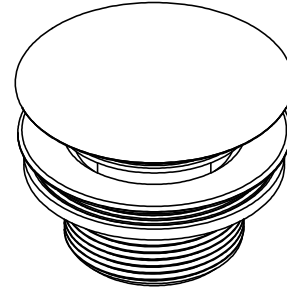




Features

- Over 30 finishes including 11 PVD finishes
- Brass construction strainer & cap
- Toe activated open/close operation
- Surface is foot friendly
- Removeable components for easy cleaning
- Large openings in strainer for quicker draining
- Gasket to seal between tub & waste shoe included
- Fits standard 1 1/2" course threaded waste shoe



Codes/Standards Applicable

Specified model meets or exceeds the following:

- ASME A112.18.2-2005/CSA B125.2-05

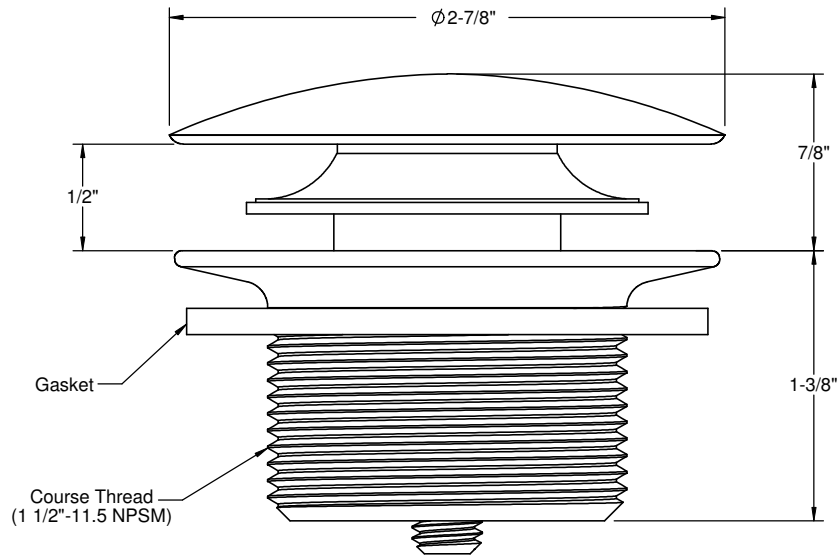


Figure 1. Drain in **OPEN** position

Dimensions Shown to Nearest 1/16"

Figure 2. Drain in **CLOSED** position

