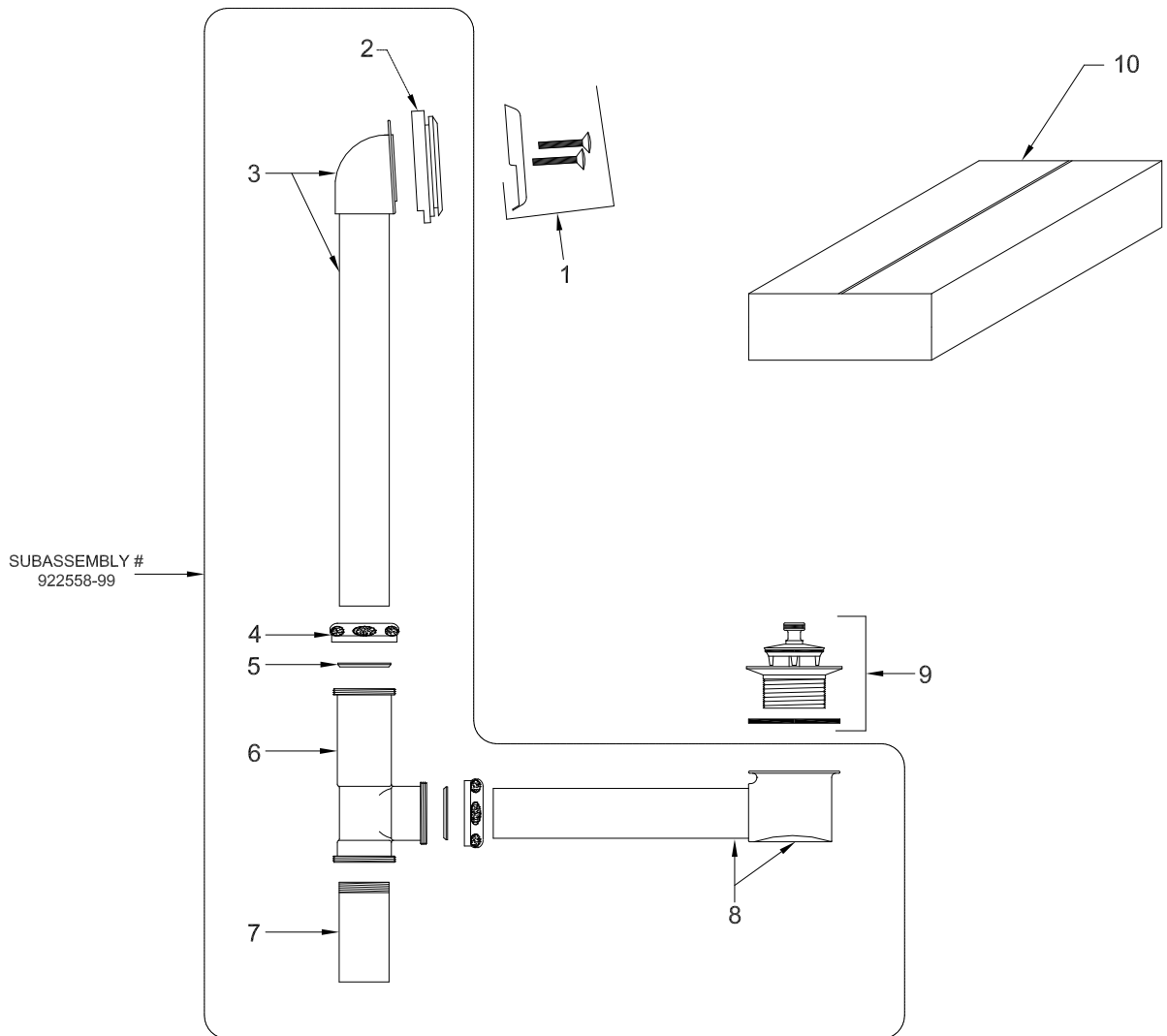


NOTE:  
1. XX DENOTES FINISH



Pos.	Description	Qty.	Part #
1	FACEPLATE W/WASTE & OVERFLOW (BOXED SEPARATELY)	1	9233-XX
2	GASKET, OVERFLOW, 9226, 9225	1	922565-99
3	OVERFLOW, BODY/TUBE ASM, 1-1/2" X 20" (GLUED ASSEMBLY)	1	921782-98
4	NUT, BRASS, 1-1/2", 9650, 51, 60, 61	2	962747-98
5	TEE, NYLON WASHER, 1-1/2", ID	2	921780-99
6	BODY, TEE	1	921769-98
7	TAIL, TUBE, 1-1/2" X 3"	1	921771-98
8	SHOE, BODY/TUBE ASM, 1-1/2" X 9-1/4" (GLUED ASSEMBLY)	1	921770-98
9	LIFT & TURN BATH PLUG 1-1/2" IPS (BOXED SEPARATELY)	1	9235-XX
10	CARTON, PLAIN-WHT, 16" X 11" X 2-3/4"	1	W/SDIS-PL-LG



info@calfaucets.com  
www.calfaucets.com

**FIXTURE:** LIFT AND TURN WASTE AND OVER FLOW  
**ASSEMBLY NUMBER:** 9228  
**REFERENCE NUMBER:** 9228

**STARTING DATE:** 10/18/05  
**REVISION DATE:** 08/23/07  
**APPROVED BY:** J. WOJTASZEK  
**SCALE:** NONE  
**DRAWN BY:** W. LINARES

