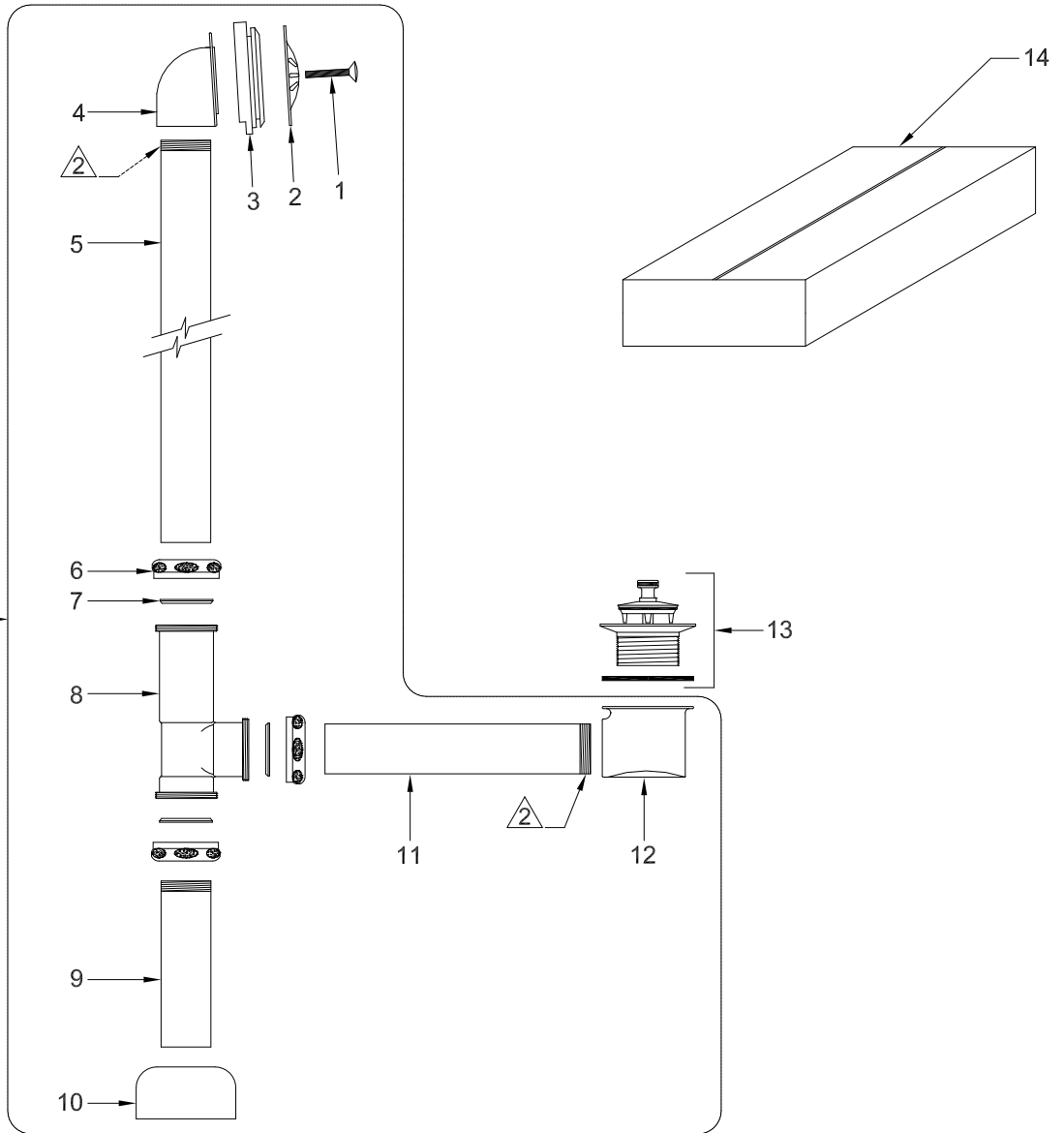


NOTES:
 1. XX DENOTES FINISH
 2. APPLY LOCTITE 680
 OR EQUIVALENT

SUBASSEMBLY #
 922356-02



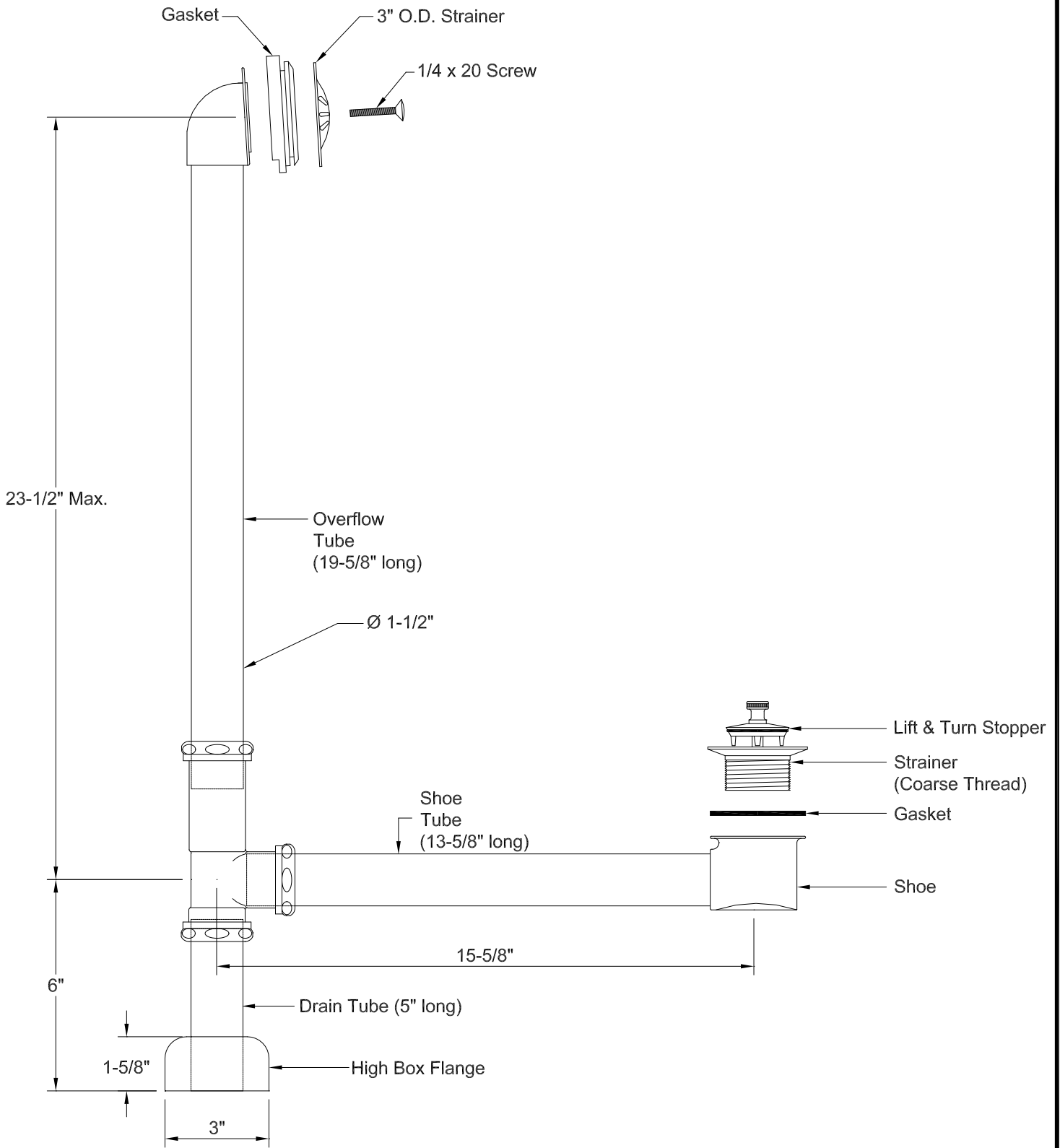
Pos.	Description	Qty.	Part #
1	OVERFLOW, STRAINER, SCREW, 1/4" X 20	1	921825-XX
2	OVERFLOW, STRAINER	1	921810-XX
3	GASKET, OVERFLOW, 9226, 9225	1	922565-99
4	OVERFLOW, BODY	1	921803-XX
5	OVERFLOW, EXT. TUBE, 1-1/2" X 19-5/8"	1	921816-XX
6	TEE, NUT, 1-1/2", ID	3	921815-XX
7	TEE, NYLON WASHER, 1-1/2", ID	3	921780-99
8	BODY, TEE	1	921805-XX
9	TAIL, TUBE, 1-1/2" X 5"	1	922738-XX
10	FLANGE, BOX, HIGH, 1-1/2"	1	901046-XX
11	SHOE, EXT. TUBE, 1-1/2" X 13-5/8"	1	922818-XX
12	SHOE, BODY, 9225, 9226	1	922746-XX
13	LIFT & TURN BATH PLUG 1-1/2" IPS (BOXED SEPARATELY)	1	9235-XX
14	CARTON, PLAIN-WHT, 16" X 11" X 2-3/4"	1	W/SDIS-PL-LG



info@calfaucets.com
 www.calfaucets.com

FIXTURE: LIFT AND TURN WASTE AND OVERFLOW
ASSEMBLY NUMBER: 9226
REFERENCE NUMBER: 9226

STARTING DATE: 10/18/05
REVISION DATE: 08/23/07
APPROVED BY: J. WOJTASZEK
SCALE: NONE
DRAWN BY: W. LINARES



California Faucets®
 info@calfaucets.com
 www.calfaucets.com

FIXTURE:	LIFT & TURN WASTE & OVER FLOW
ASSEMBLY NUMBER:	9226
REFERENCE NUMBER:	9226

STARTING DATE:	06/14/05
REVISION DATE:	08/21/07
APPROVED BY:	J. WOJTASZEK
SCALE:	NONE
DRAWN BY:	W. LINARES