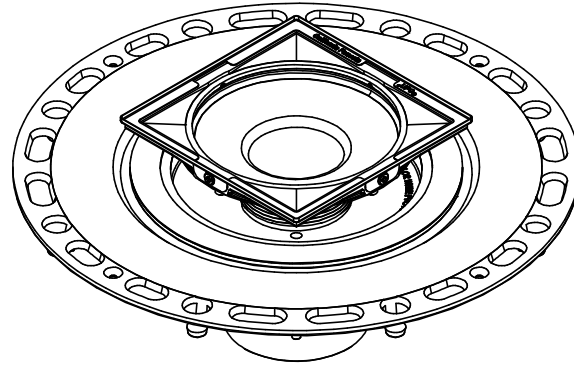




9177-BFP

Features

- Square design for easy floor design and installation
- Floating collar allows for 3/16" horizontal tile adjustments
- For use with liquid applied or fabric (e.g. Schluter®-Kerdi) waterproof membranes
- Compatible with Schluter®-Kerdi-Shower-ST prefabricated shower tray
- PVC body with polyethylene fleece lined flange for secure bonding of waterproof membranes
- Dual outlet connection: 2" slip & 3" spigot
- Includes fleece sheet (polypropylene/polyethylene) to improve liquid membrane joint at drain



Codes/Standards Applicable

Specified model meets or exceeds the following:

- ASME A112.18.2/CSA B125.2

PVC 2" / 3"

Figure 1. SIDE VIEW

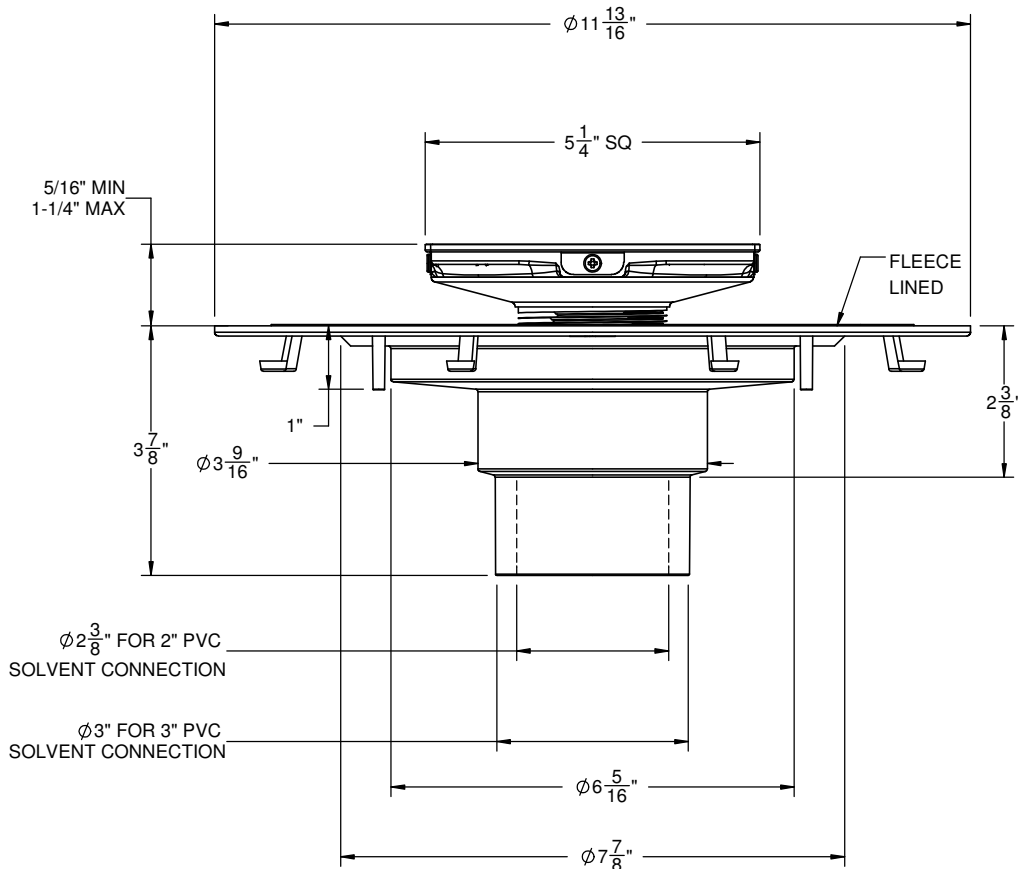
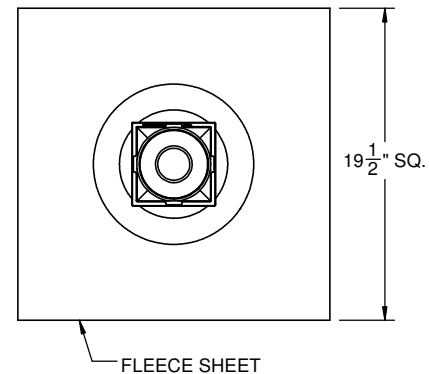


Figure 2. TOP VIEW



ALL DIMENSIONS SHOWN TO NEAREST 1/16"