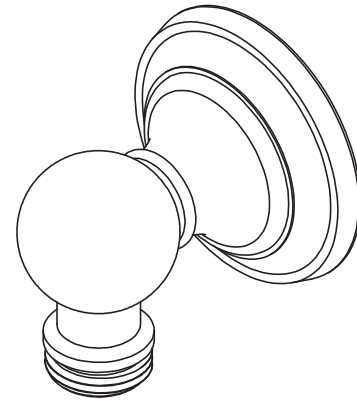




Features

- Over 30 finishes including 14 PVD finishes
- Solid brass construction
- 1/2" NPT (female) inlet connection
- 1/2" NPSM (male) outlet connection

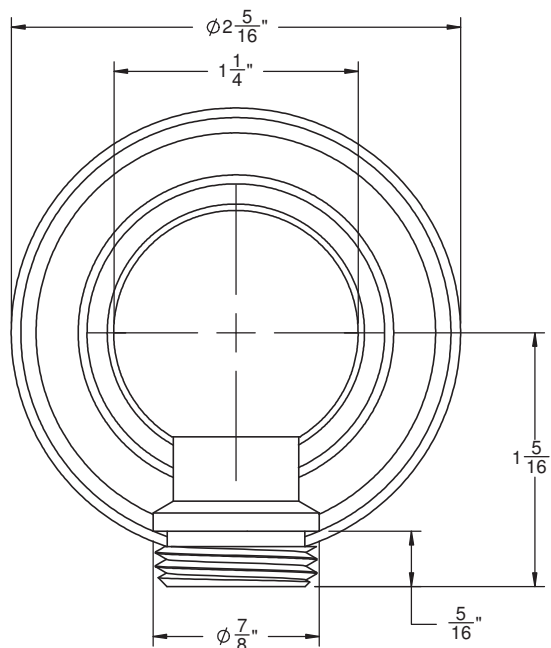
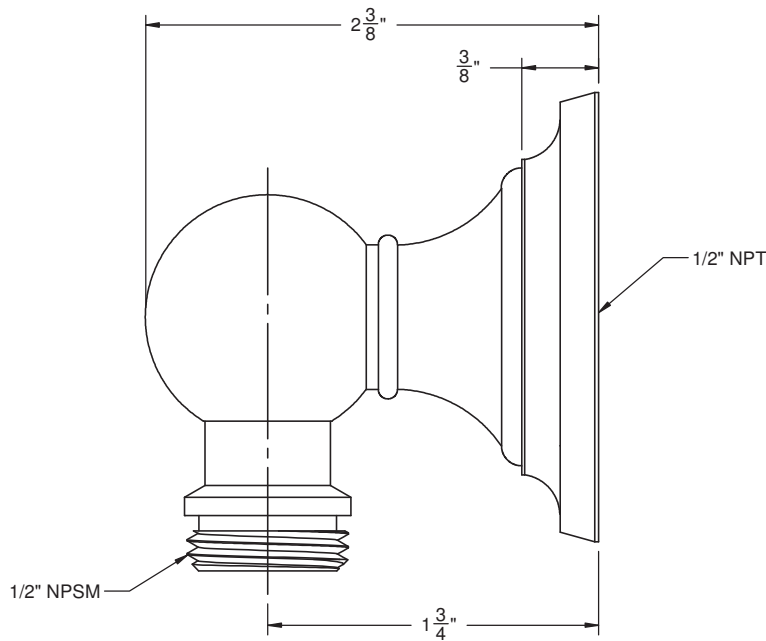
SH-10-48



Codes/Standards Applicable

Meets or exceeds the following at date of manufacture:

- ASME A112.18.1/CSA B125.1



ALL DIMENSIONS SHOWN TO NEAREST 1/16"



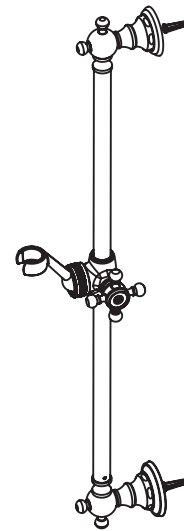
Features

- Over 30 finishes including 15 PVD finishes
- All brass construction
- Matching handle & escutcheon for all California Faucets series
- Bar pivots 180° without loosening slide handle
- Handshower holder slides up and down on bar
- Handshower holder angle is adjustable
- Handshower holder accepts conical end of hose
- Right or left handed based on installation
- Includes all mounting hardware

Codes/Standards Applicable

Product meets or exceeds the following:

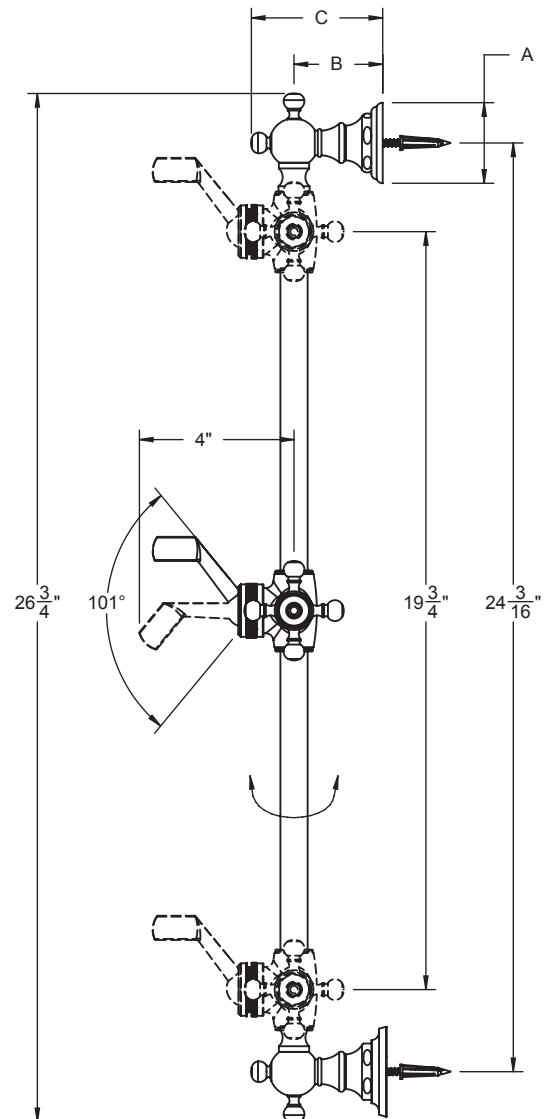
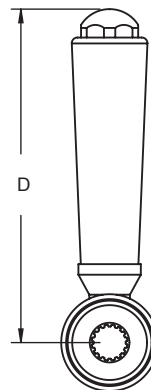
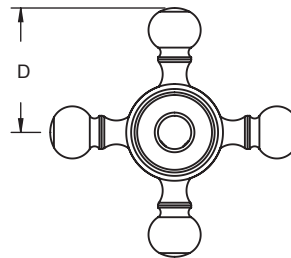
- ASME A112.18.1/CSA B125.1
- ADA (all lever handles)



SB-XX

XX = SERIES HANDLE

| TABLE (ALL DIMENSIONS SHOWN IN INCHES) | | | | |
|--|------------------|------------------|------------------|------------------|
| SERIES | A | B | C | D |
| 30 | $2\frac{5}{16}$ | $2\frac{7}{16}$ | $3\frac{9}{16}$ | 3 |
| 30K, 30F | $2\frac{5}{16}$ | $2\frac{7}{16}$ | $3\frac{9}{16}$ | $3\frac{1}{8}$ |
| 30X, 30XK, 30XF | $2\frac{5}{16}$ | $2\frac{7}{16}$ | $3\frac{9}{16}$ | $1\frac{1}{2}$ |
| 33 | $2\frac{1}{8}$ | $2\frac{9}{16}$ | $3\frac{11}{16}$ | $3\frac{1}{2}$ |
| 34 | $2\frac{1}{8}$ | $2\frac{9}{16}$ | $3\frac{11}{16}$ | $1\frac{1}{8}$ |
| 35 | $2\frac{1}{8}$ | $2\frac{9}{16}$ | $3\frac{11}{16}$ | $3\frac{7}{16}$ |
| 36 | $2\frac{1}{8}$ | $2\frac{9}{16}$ | $3\frac{11}{16}$ | $3\frac{1}{16}$ |
| 38 | $2\frac{7}{8}$ | $2\frac{11}{16}$ | $3\frac{3}{4}$ | $2\frac{7}{8}$ |
| 40 | $2\frac{13}{16}$ | $2\frac{5}{8}$ | $3\frac{3}{4}$ | $3\frac{1}{4}$ |
| 42 | $2\frac{13}{16}$ | $2\frac{5}{8}$ | $3\frac{3}{4}$ | $2\frac{15}{16}$ |
| 44 | 2 | $2\frac{7}{8}$ | $4\frac{1}{16}$ | $2\frac{15}{16}$ |
| 45 | $2\frac{5}{16}$ | $2\frac{5}{16}$ | $3\frac{3}{8}$ | 3 |
| 46 | $2\frac{5}{16}$ | $2\frac{3}{8}$ | $3\frac{1}{2}$ | $3\frac{7}{16}$ |
| 47 | $2\frac{5}{16}$ | $2\frac{3}{8}$ | $3\frac{1}{2}$ | $3\frac{1}{8}$ |
| 48 | $2\frac{5}{16}$ | $2\frac{5}{16}$ | $3\frac{13}{16}$ | $3\frac{1}{8}$ |
| 48X | $2\frac{5}{16}$ | $2\frac{5}{16}$ | $3\frac{13}{16}$ | $1\frac{1}{2}$ |
| 50 | $2\frac{9}{16}$ | $2\frac{5}{16}$ | $3\frac{3}{8}$ | $2\frac{13}{16}$ |
| 51 | $3\frac{1}{4}$ | $2\frac{11}{16}$ | $3\frac{13}{16}$ | $1\frac{1}{16}$ |
| 55 | $2\frac{13}{16}$ | $2\frac{5}{8}$ | $3\frac{3}{4}$ | $3\frac{5}{16}$ |
| 59 | $2\frac{13}{16}$ | $2\frac{13}{16}$ | $3\frac{7}{8}$ | 3 |
| 60 | $2\frac{1}{8}$ | $2\frac{5}{16}$ | $3\frac{7}{16}$ | $1\frac{5}{16}$ |
| 63 | $2\frac{5}{16}$ | $2\frac{3}{8}$ | $3\frac{1}{2}$ | $1\frac{9}{16}$ |
| 64 | $2\frac{13}{16}$ | $2\frac{13}{16}$ | $3\frac{7}{8}$ | $3\frac{5}{16}$ |
| 67 | $2\frac{1}{8}$ | $2\frac{5}{16}$ | $3\frac{7}{16}$ | $1\frac{1}{8}$ |
| 68 | $2\frac{1}{8}$ | $2\frac{9}{16}$ | $3\frac{11}{16}$ | $3\frac{3}{8}$ |
| 69 | $2\frac{1}{8}$ | $2\frac{9}{16}$ | $3\frac{11}{16}$ | $3\frac{1}{2}$ |



ALL DIMENSIONS SHOWN TO NEAREST 1/16"



California Faucets®

Handshower

HANDSHOWER HOSE

Features

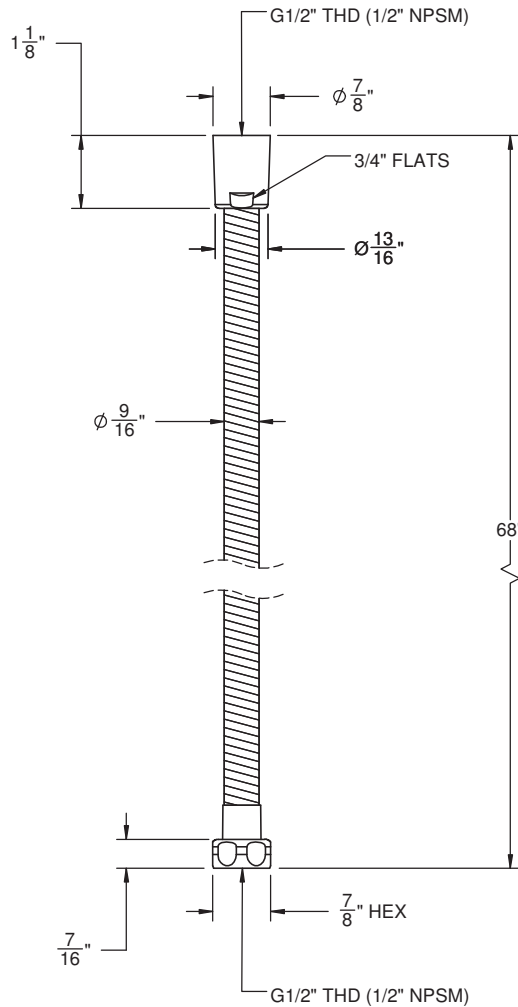
- 1/2" FIP inlet
- 1/2" FIP outlet
- Double spiral out hose for added strength
- Solid brass construction
- Over 30 finishes include 16 PVD finishes

Codes/Standards Applicable

Meets or exceeds the following at date of manufacture:

- ASME A112.18.1/CSA B125.1

HS-68



ALL DIMENSIONS SHOWN TO NEAREST 1/16"