



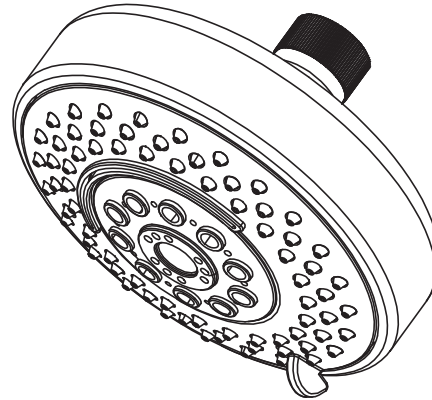
California Faucets®

# Showerhead

4-3/4" MULTI-FUNCTION CONTEMPORARY

## Features

- 1/2" FIP inlet
- Swiss shower technology™
- 4 functions: rain, air, booster massage & blade
- Self-cleaning rubber jets
- Solid brass pivot ball, ABS body
- 4-3/4" diameter, gray face
- Replace .FR with desired max flow rate:  
SH-504.25 for 2.5 gpm  
SH-504.20 for 2.0 gpm  
SH-504.18 for 1.8 gpm



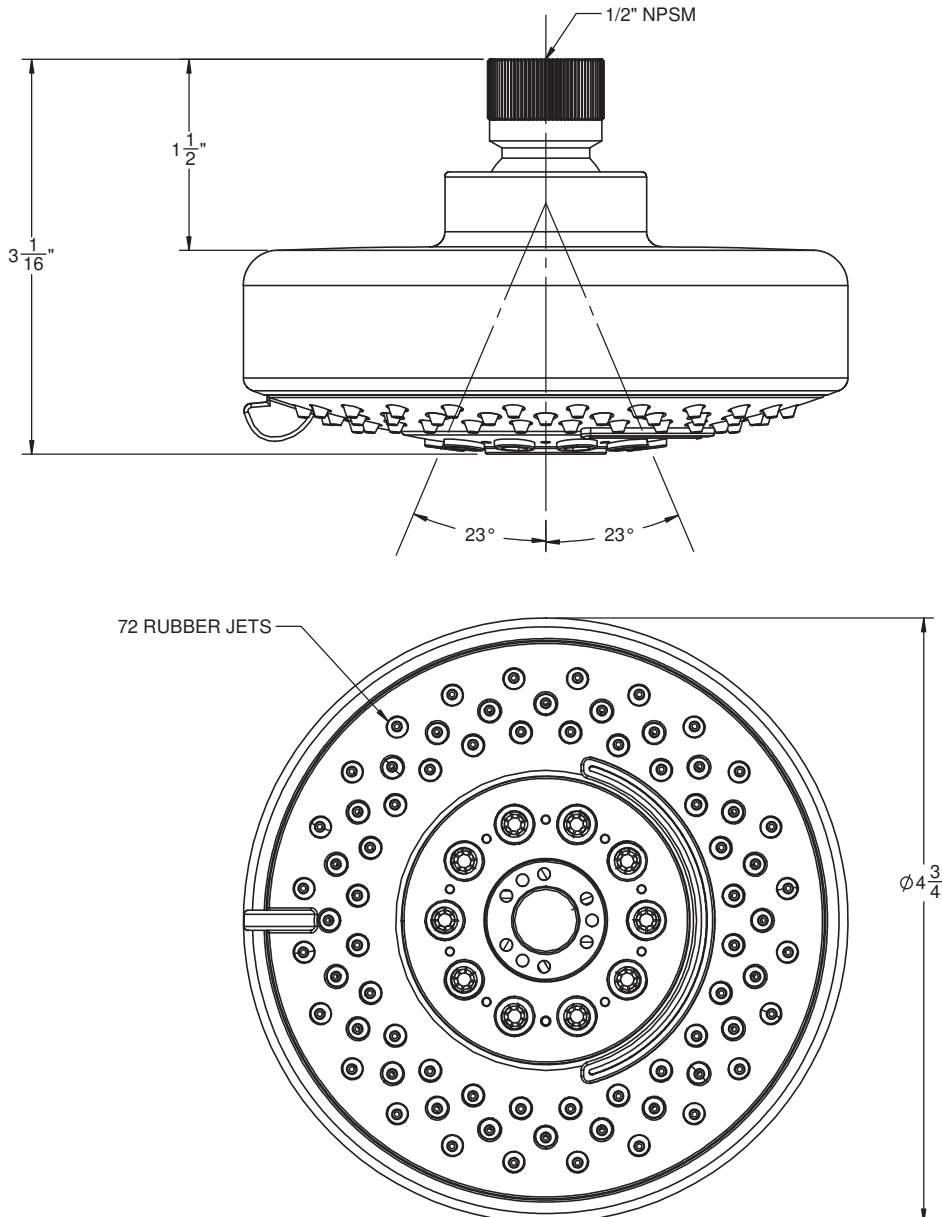
SH-504.25  
SH-504.20  
SH-504.18

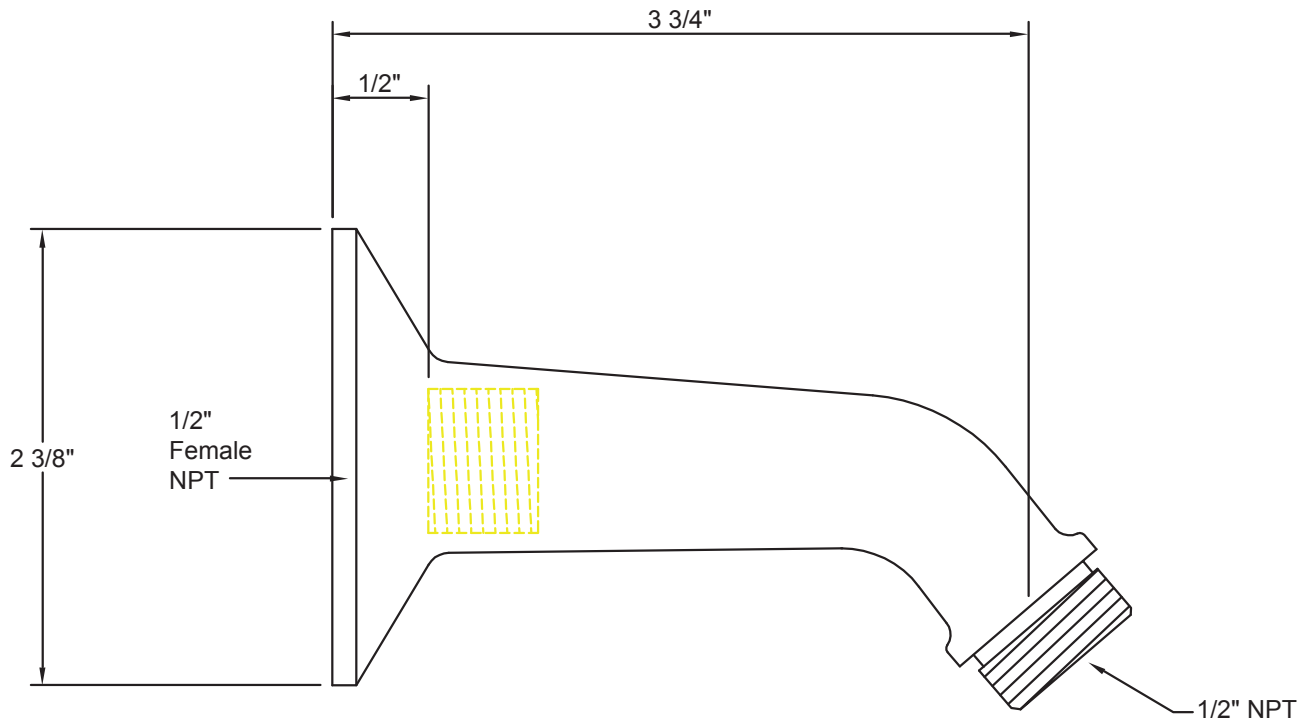


## Codes/Standards

Product meets or exceeds the following:

- ASME A112.18.1/CSA B125.1
- CEC (1.8 gpm)
- DOE (2.5, 2.0, & 1.8 gpm)
- Commonwealth of MA
- EPA WaterSense (2.0 gpm)





A Division of  
California Faucets

Decorative Trim for Bath & Kitchen  
info@calfaucets.com  
www.calfaucets.com

5231 Argosy Drive  
Huntington Beach, CA 92649

Tel: 714-891-7797  
Fax: 714-891-2478  
Toll Free: 800-822-8855

Fixture:

**SH-01**

Revision date: April 1, 2005

Date: October 1, 2004

Scale: None

Drawn by: William Linares  
william@calfaucets.com

Technical Supervisor: Joe Mainberger