



California Faucets®

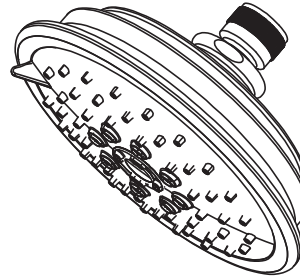
# SHOWERHEAD

5-5/8" MULTI-FUNCTION TRADITIONAL

## Features

- 1/2" FIP inlet
- 3 function: rain, air & massage
- Self-cleaning rubber jets
- Solid brass pivot ball & body
- 5-5/8" diameter, gray face
- Over 30 finishes including 15 PVD finishes
- Replace .FR with desired max flow rate:  
SH-073.25 for 2.5 gpm  
SH-073.20 for 2.0 gpm  
SH-073.18 for 1.8 gpm

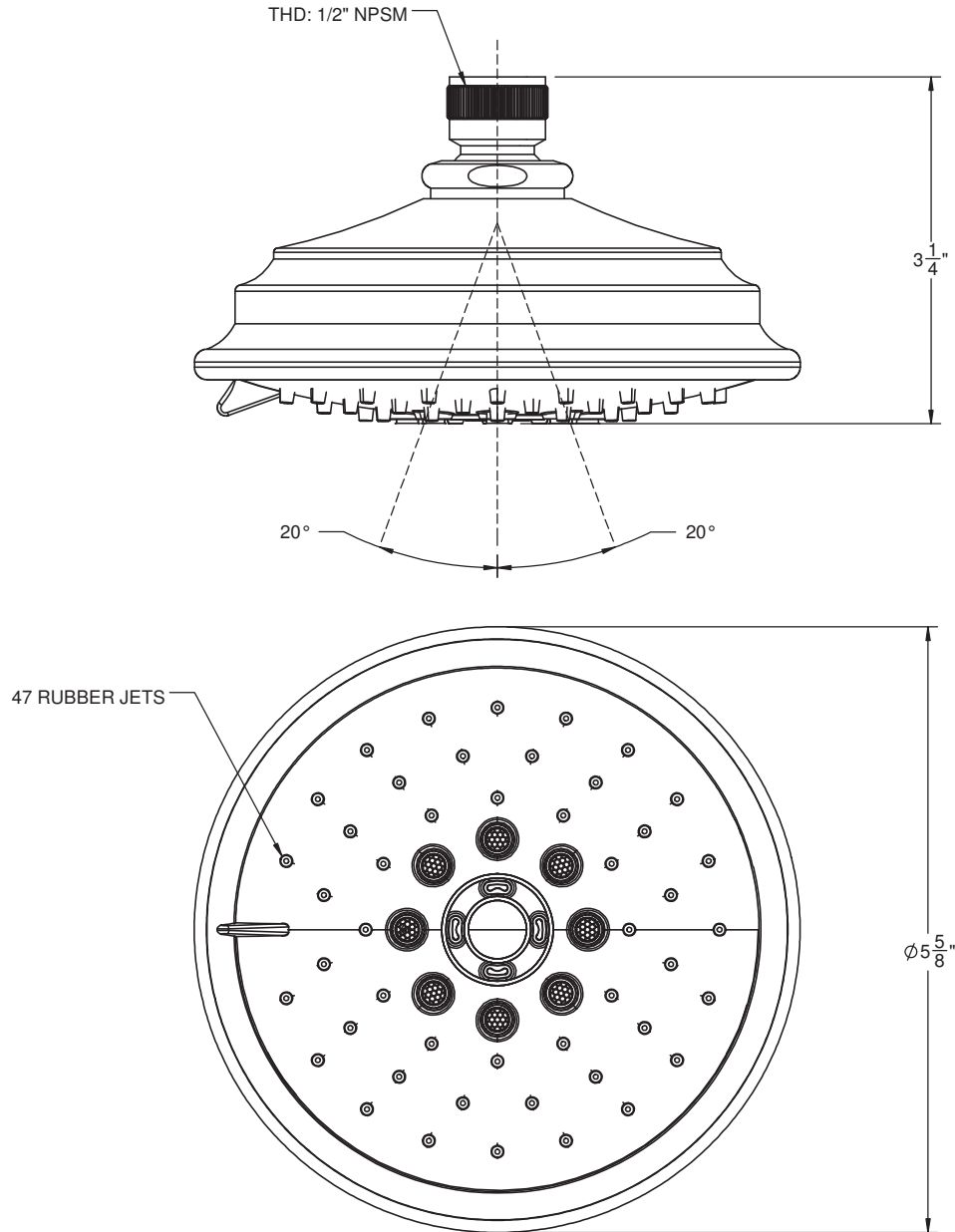
SH-073.25  
SH-073.20  
SH-073.18

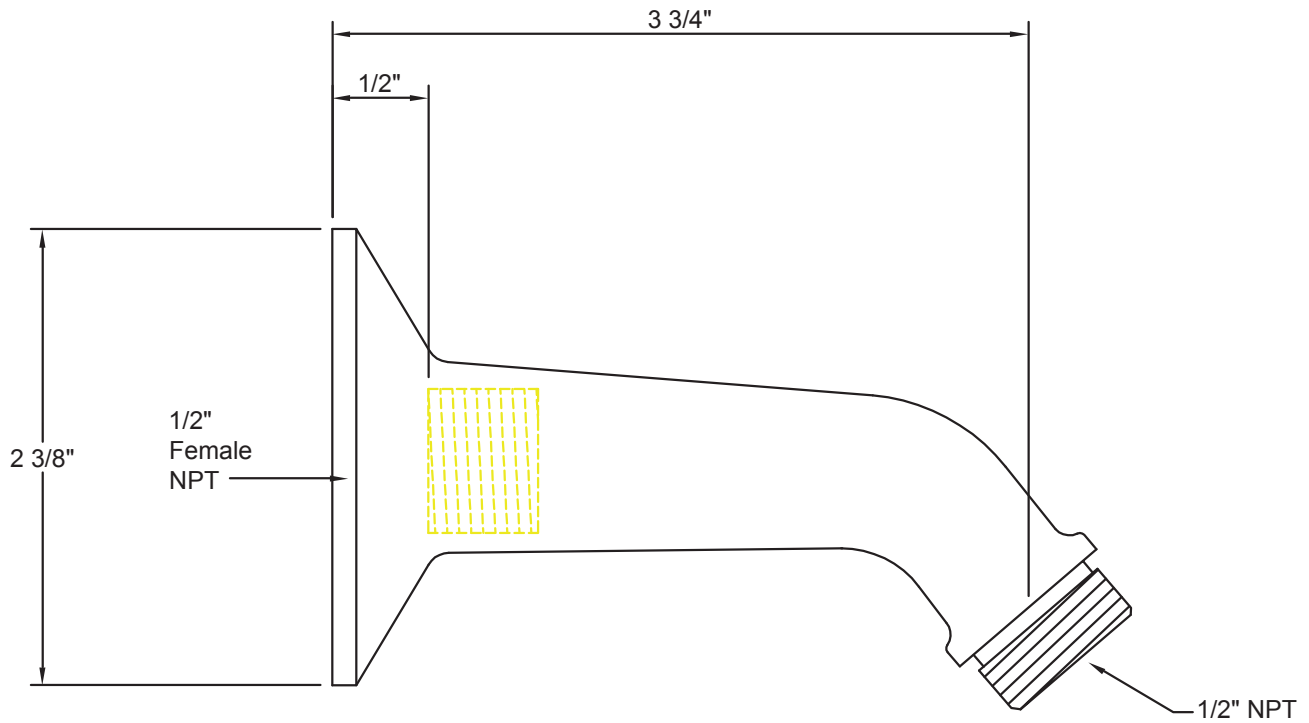


## Codes/Standards

Product meets or exceeds the following:

- ASME A112.18.1/CSA B125.1
- CEC (1.8 gpm)
- DOE (2.5, 2.0, & 1.8 gpm)
- Commonwealth of MA
- EPA WaterSense Showerhead (2.0 gpm)





A Division of  
California Faucets

Decorative Trim for Bath & Kitchen  
info@calfaucets.com  
www.calfaucets.com

5231 Argosy Drive  
Huntington Beach, CA 92649

Tel: 714-891-7797  
Fax: 714-891-2478  
Toll Free: 800-822-8855

Fixture:

**SH-01**

Revision date: April 1, 2005

Date: October 1, 2004

Scale: None

Drawn by: William Linares  
william@calfaucets.com

Technical Supervisor: Joe Mainberger