



California Faucets®

# Showerhead

2-13/16" 6 JETS

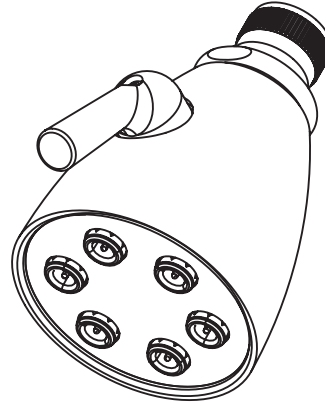
## Features

- 1/2" FIP inlet
- Brass construction
- 2-13/16" diameter
- Replace .FR with desired max flow rate:
  - SH-04.25 for 2.5 gpm
  - SH-04.20 for 2.0 gpm
  - SH-04.18 for 1.8 gpm
  - SH-04.15 for 1.5 gpm

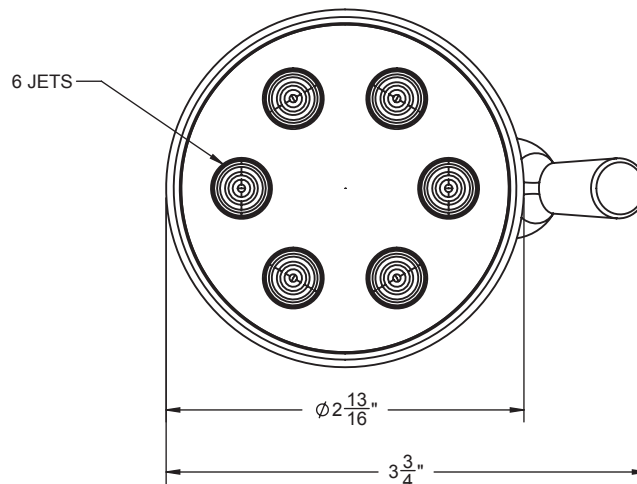
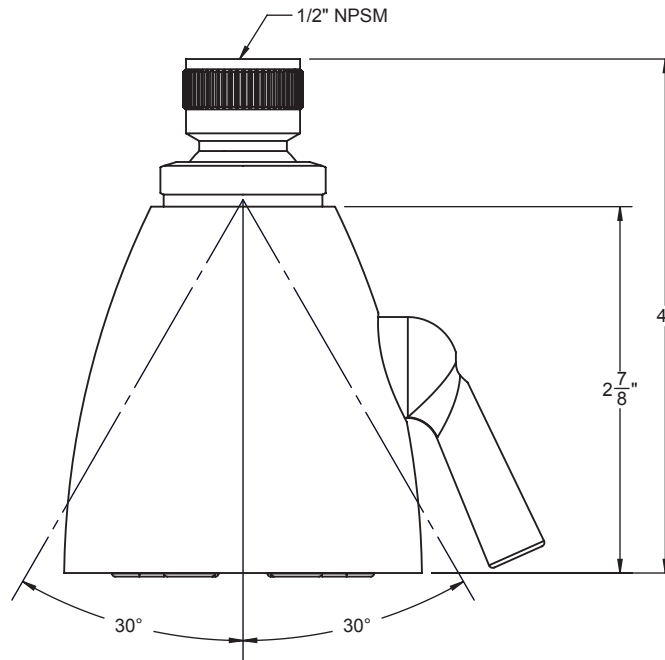
## Codes/Standards

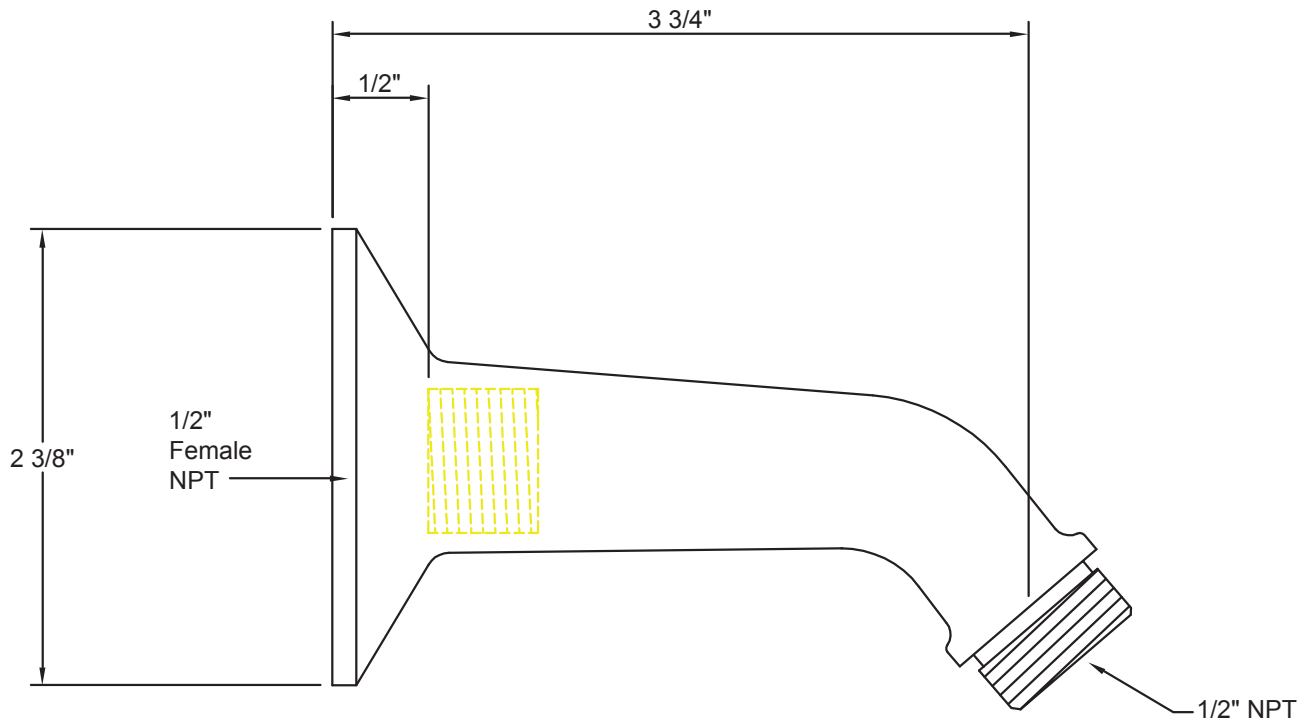
Product meets or exceeds the following:

- ASME A112.18.1/CSA B125.1
- CEC (1.8 & 1.5 gpm)
- DOE (2.5, 2.0, 1.8, & 1.5 gpm)
- Commonwealth of MA
- EPA WaterSense (2.0 & 1.5 gpm)



SH-04.25  
SH-04.20  
SH-04.18  
SH-04.15





A Division of  
California Faucets

Decorative Trim for Bath & Kitchen  
info@calfaucets.com  
www.calfaucets.com

5231 Argosy Drive  
Huntington Beach, CA 92649

Tel: 714-891-7797  
Fax: 714-891-2478  
Toll Free: 800-822-8855

Fixture:

**SH-01**

Revision date: April 1, 2005

Date: October 1, 2004

Scale: None

Drawn by: William Linares  
william@calfaucets.com

Technical Supervisor: Joe Mainberger