



California Faucets®

# Morro Bay™

## SINGLE HOLE LAVATORY FAUCET

7701-1

### Features

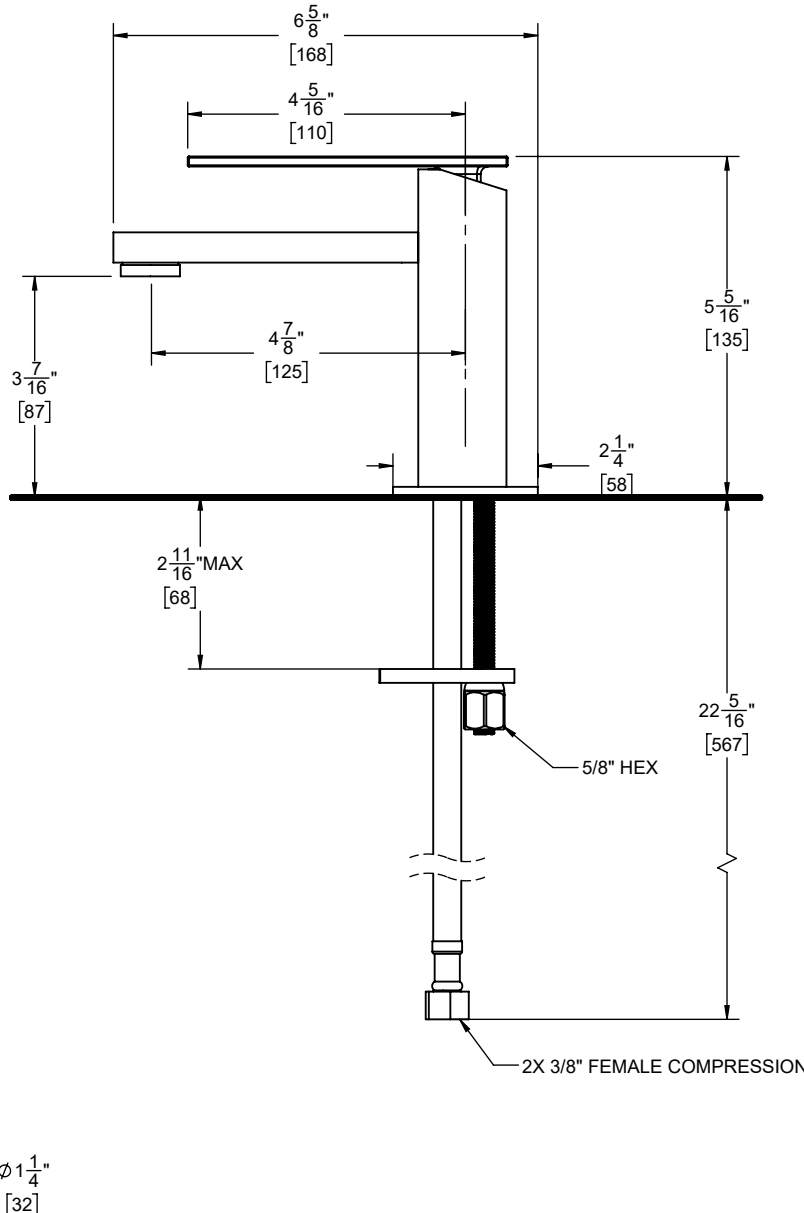
- Available in 28 finishes including 13 PVD finishes
- All brass construction
- 4-7/8" spout center to center
- Single handle operation cartridge with ceramic disc
- Flexible braided hoses for ease of installation
- $\Phi$  1-1/4" all brass touch style pop up drain assembly
- 1.2 gpm (4.5 L/min) max flow rate



### Codes/Standards

Product meets or exceeds the following:

- ASME A112.18.1/CSA B125.1
- NSF/ANSI 61 & NSF/ANSI 372
- CEC / DOE
- Commonwealth of MA
- EPA WaterSense High Efficiency Lavatory
- ADA compliant



THROUGH-HOLE SPECIFICATIONS		
	MIN	RECOMMENDED
SPOUT:	$\Phi$ 1-1/4" [32]	$\Phi$ 1-3/8" [35]
DRAIN:	$\Phi$ 1-1/2" [38]	$\Phi$ 1-3/4" [44]

DIMENSIONS SHOWN TO THE NEAREST 1/16"  
[DIMENSIONS SHOWN TO THE NEAREST 1mm]

SPECIFICATIONS SUBJECT TO CHANGE WITHOUT NOTICE