



Features

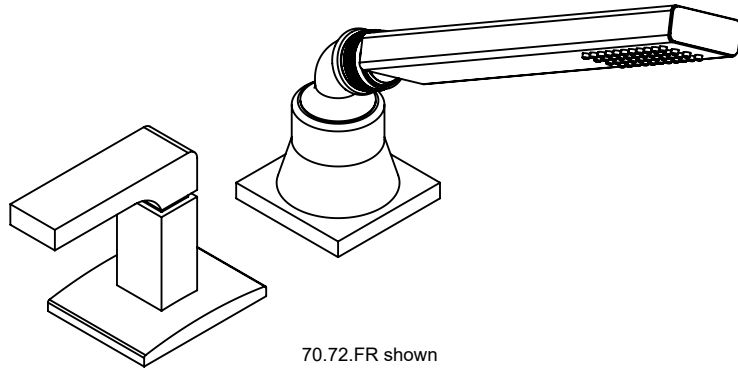
- Available in 28 finishes including 13 PVD finishes
- All brass construction
- 1/4 turn ceramic disc cartridge(s)
- Flexible braided hoses for ease of installation
- Φ 1-1/4" all brass touch style pop up drain assembly
- 1.2gpm (4.5 L/min) max flow rate

70.72.18
70.72.20

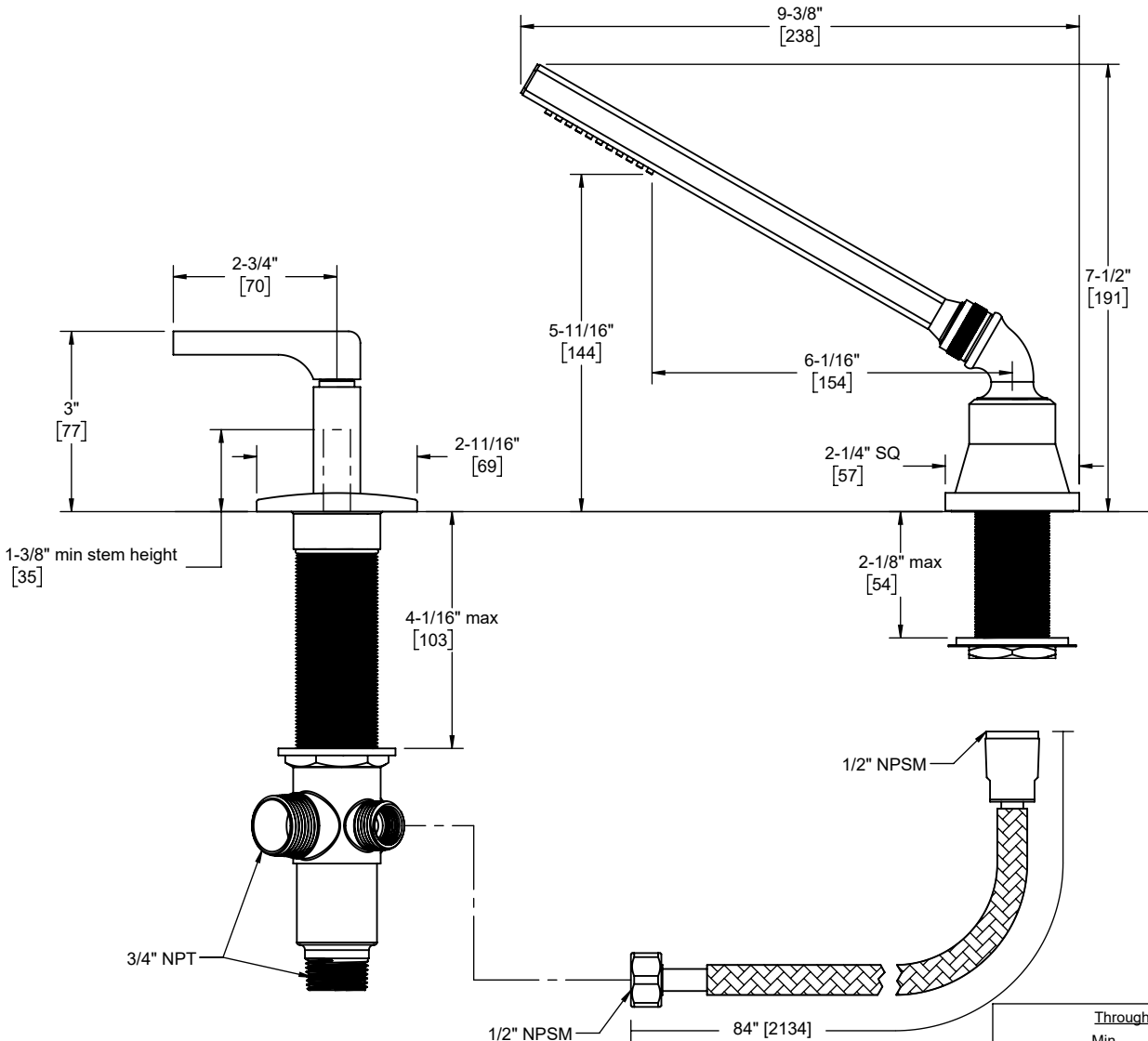
Codes/Standards Applicable

Product meets or exceeds the following:

- ASME A112.18.1/CSA B125.1
- NSF 61, NSF 372, CEC & DOE
- EPA WaterSense
- Commonwealth of MA
- ADA compliant



70.72.FR shown
FR = Denotes flow rate



Through-Hole Specifications			
	Min	Recommended	Max
Spout:	Φ 1-1/4" [32]	Φ 1-1/4" [32]	Φ 1-13/16" [46]
Valve:	Φ 1-7/16" [37]	Φ 1-1/2" [38]	Φ 1-3/4" [44]