



California Faucets®

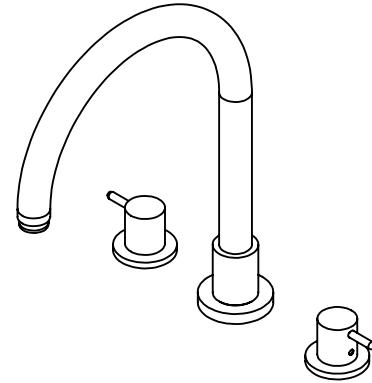
# AVALON

## ROMAN TUB SET

### 6208

### Features

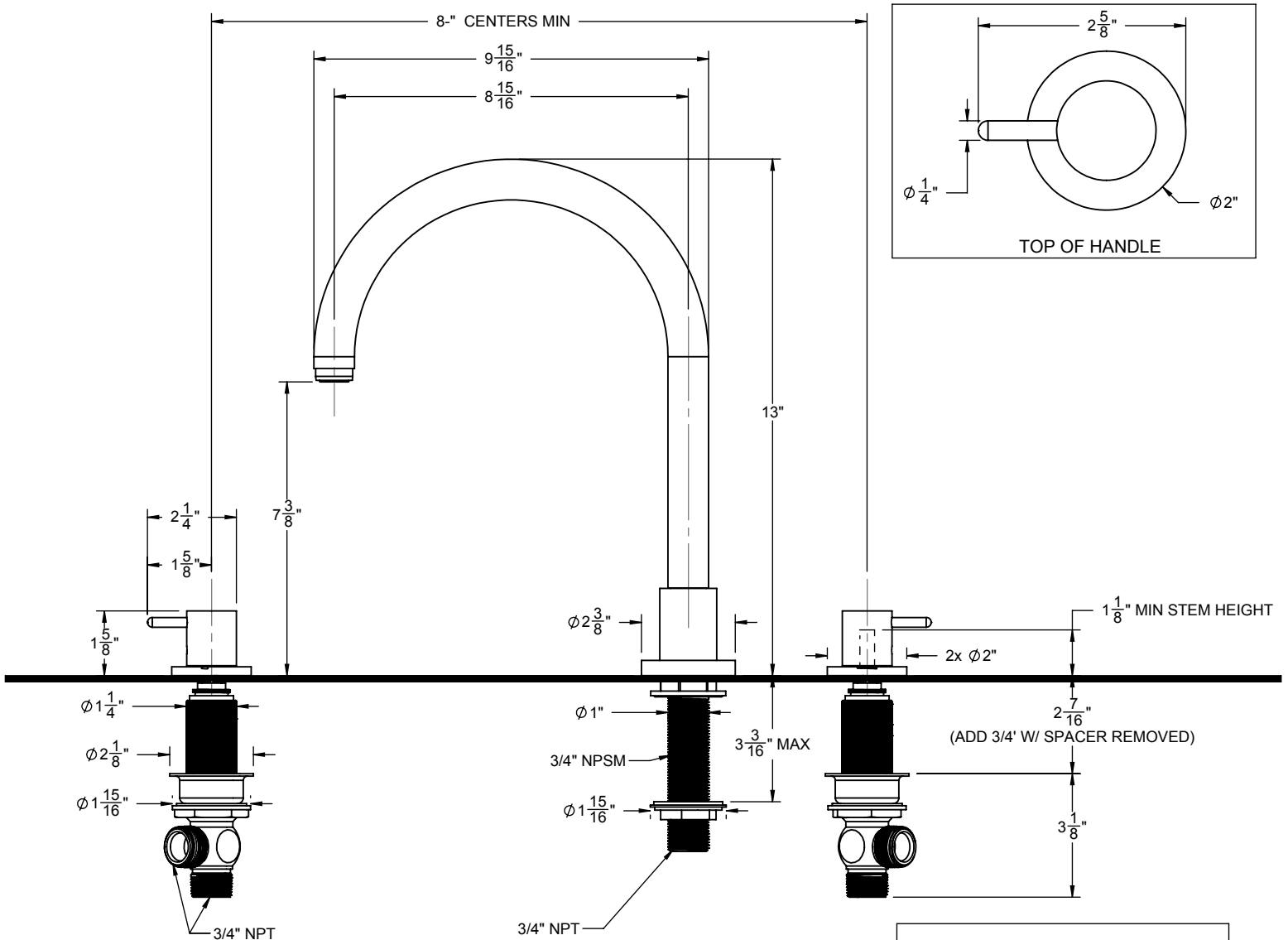
- Over 30 finishes including 14 PVD finishes
- Solid brass construction
- 1/4 turn ceramic disc valves
- Maximum flow rate: 16 gpm (60.6 L/m)
- For additional product offerings, see [www.californiafaucets.com](http://www.californiafaucets.com)



### Codes/Standards Applicable

Meets or exceeds the following at date of manufacture:

- ASME A112.18.1/CSA B125.1
- ADA



THROUGH-HOLE SPECIFICATIONS		
	MIN	RECOMENDED
SPOUT:	∅ 1"	∅ 1-3/8"
VALVE:	∅ 1-1/4"	∅ 1-3/8"

ALL DIMENSIONS SHOWN TO NEAREST 1/16"