



California Faucets®

# Avalon™

## SINGLE HOLE LAVATORY FAUCET

6201-1

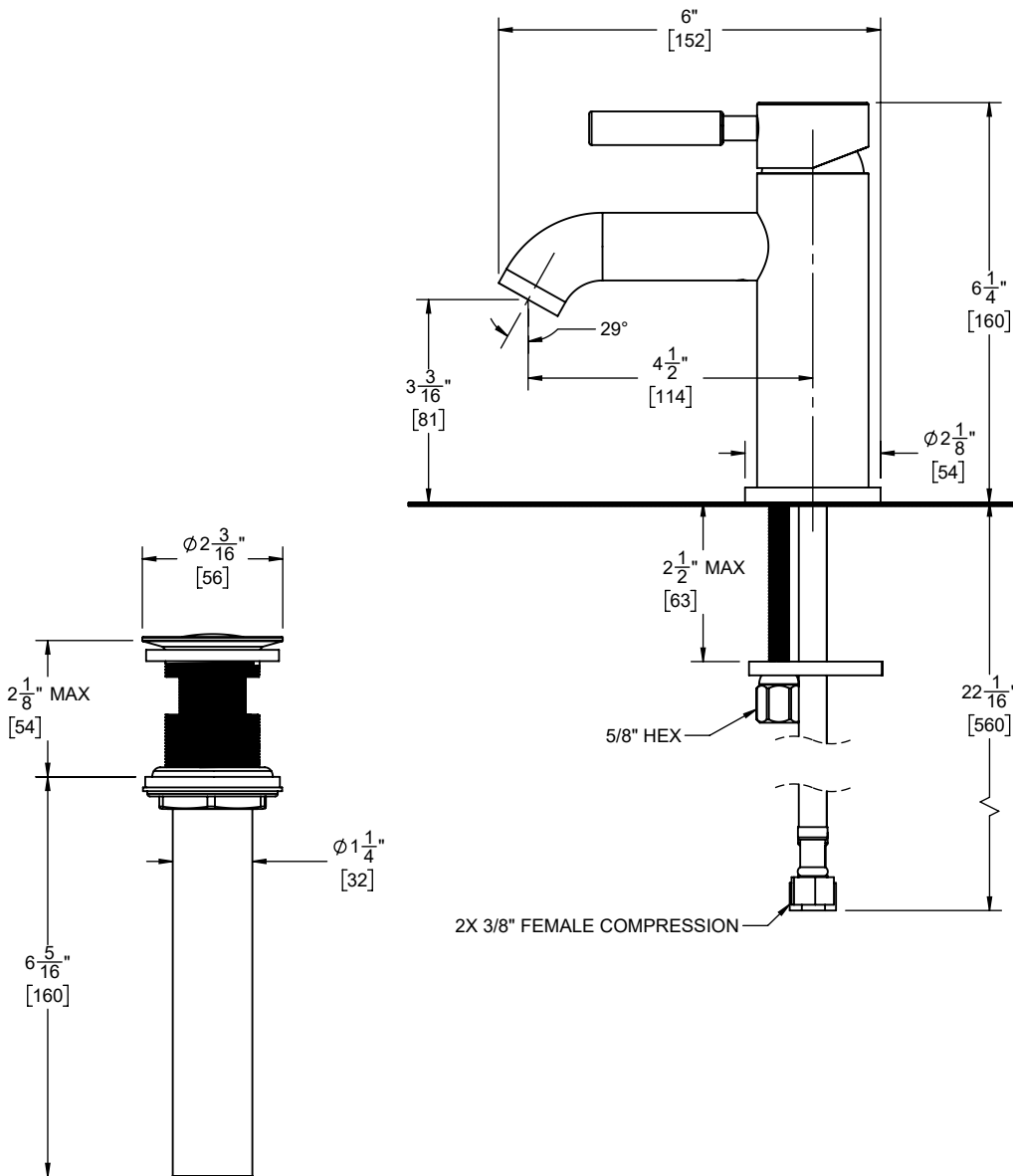
### Features

- Available in 28 finishes including 13 PVD finishes
- All brass construction
- 4-1/2" spout center to center
- Single handle operation cartridge with ceramic disc
- Flexible braided hoses for ease of installation
- $\Phi$  1-1/4" all brass lift rod style pop up drain assembly
- 1.2 gpm (4.5 L/min) max flow rate

### Codes/Standards Applicable

Product meets or exceeds the following:

- ASME A112.18.1/CSA B125.1
- NSF/ANSI 61 & NSF/ANSI 372
- CEC / DOE
- Commonwealth of MA
- EPA WaterSense High Efficiency Lavatory
- ADA compliant



THROUGH-HOLE SPECIFICATIONS	
MIN	RECOMMENDED
SPOUT: $\Phi$ 1-1/4" [32]	$\Phi$ 1-3/8" [35]
DRAIN: $\Phi$ 1-1/2" [38]	$\Phi$ 1-3/4" [44]

SPECIFICATIONS SUBJECT TO CHANGE WITHOUT NOTICE

DIMENSIONS SHOWN TO THE NEAREST 1/16"  
[DIMENSIONS SHOWN TO THE NEAREST 1mm]