



California Faucets®

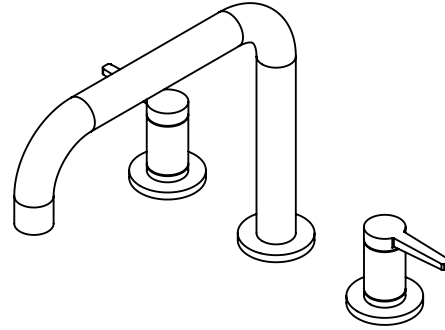
D Street™

ROMAN TUB SET

Features

- Available in 28 finishes including 13 PVD finishes
- All brass construction
- Max flow rate: 16 gpm (60.6 L/min)
- Includes rough in valves
- 1/4 turn ceramic disc cartridge(s)

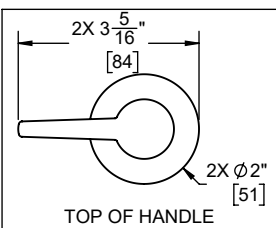
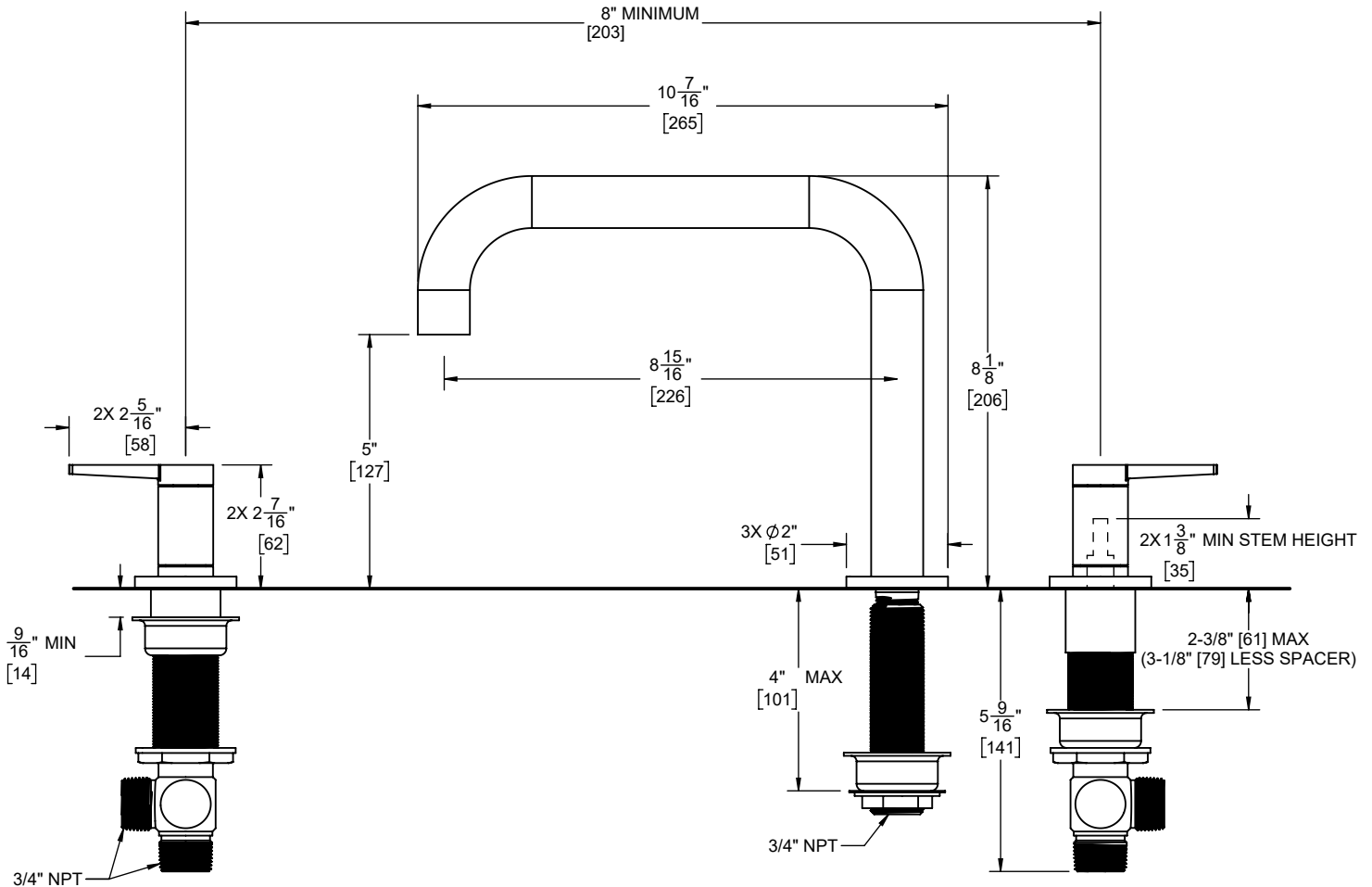
**5308Q
5308QF
5308QK**



Codes/Standards Applicable

Product meets or exceeds the following:

- ASME A112.18.1/CSA B125.1
- Commonwealth of MA
- ADA compliant
- Local codes may require installation of an upstream tempering valve



THROUGH-HOLE SPECIFICATIONS			
	MIN	RECOMMENDED	MAX
SPOUT:	Ø 1-1/16" [27]	Ø 1-3/8" [35]	Ø 1-1/2" [38]
VALVE:	Ø 1-3/8" [35]	Ø 1-1/2" [38]	Ø 1-1/2" [38]

DIMENSIONS SHOWN TO NEAREST 1/16"
[DIMENSIONS SHOWN TO NEAREST 1MM]

SPECIFICATIONS SUBJECT TO CHANGE WITHOUT NOTICE