



California Faucets®

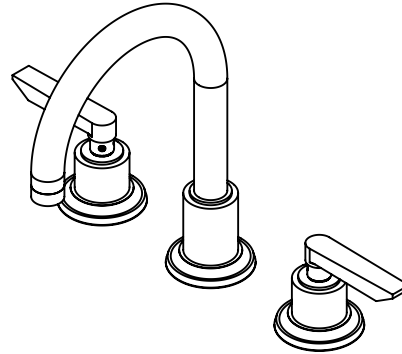
# Rincon Bay™

## Widespread Lavatory Faucet

4502A

### Features

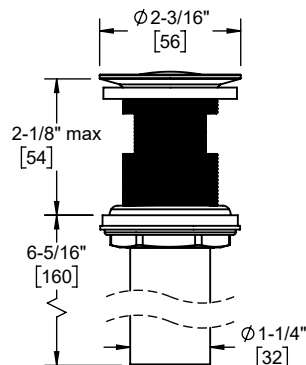
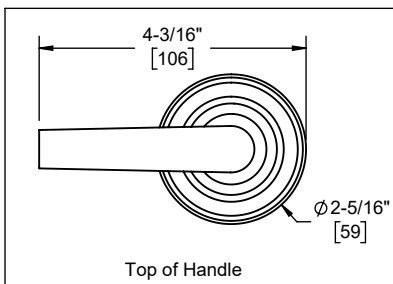
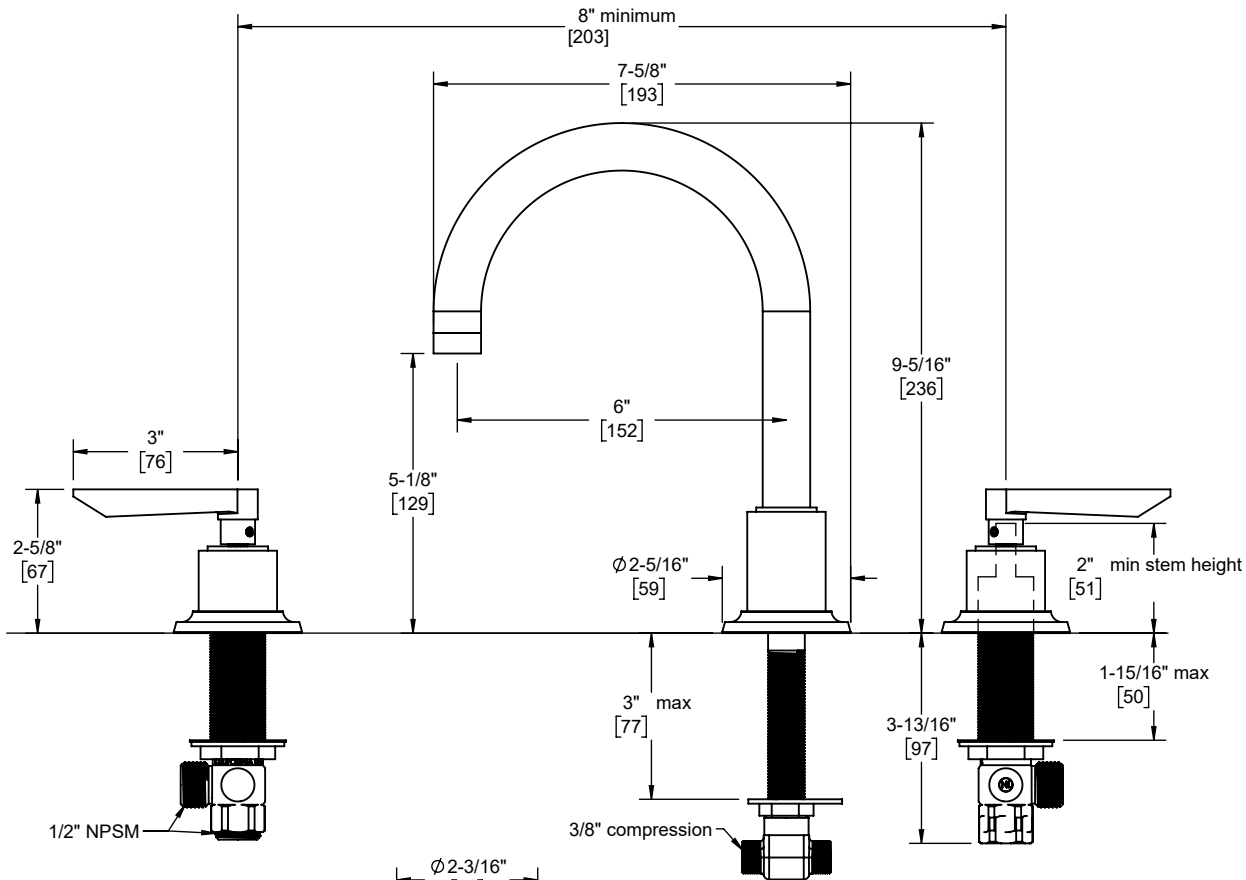
- Available in 28 finishes including 13 PVD finishes
- All brass construction
- 1/4 turn ceramic disc cartridge(s)
- Flexible braided hoses for ease of installation
- $\Phi$  1-1/4" all brass touch style pop up drain assembly
- 1.2gpm (4.5 L/min) max flow rate



### Codes/Standards

Product meets or exceeds the following:

- ASME A112.18.1/CSA B125.1
- NSF 61, NSF 372, CEC & DOE
- EPA WaterSense
- Commonwealth of MA
- ADA compliant



Through-Hole Specifications			
	Min	Recommended	Max
Spout: $\Phi$ 1" [25]	$\Phi$ 1-3/8" [35]	$\Phi$ 1-1/2" [38]	
Valve: $\Phi$ 1" [25]	$\Phi$ 1-3/8" [35]	$\Phi$ 1-1/2" [38]	

Dimensions are inches, rounded to 1/16"  
[Dimensions in brackets are mm, rounded to 1mm]

Specifications subject to change without notice