



California Faucets®

Huntington™

SINGLE HOLE LAVATORY FAUCET

4201-1

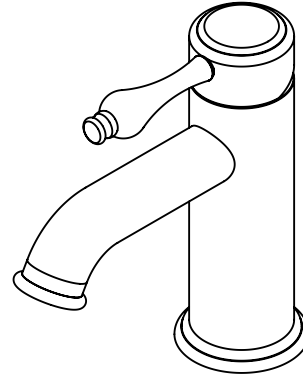
Features

- Available in 28 finishes including 13 PVD finishes
- All brass construction
- 4-9/16" spout center to center
- Single handle operation cartridge with ceramic disc
- Flexible braided hoses for ease of installation
- ϕ 1-1/4" all brass touch style pop up drain assembly
- 1.2 gpm (4.5 L/min) max flow rate

Codes/Standards

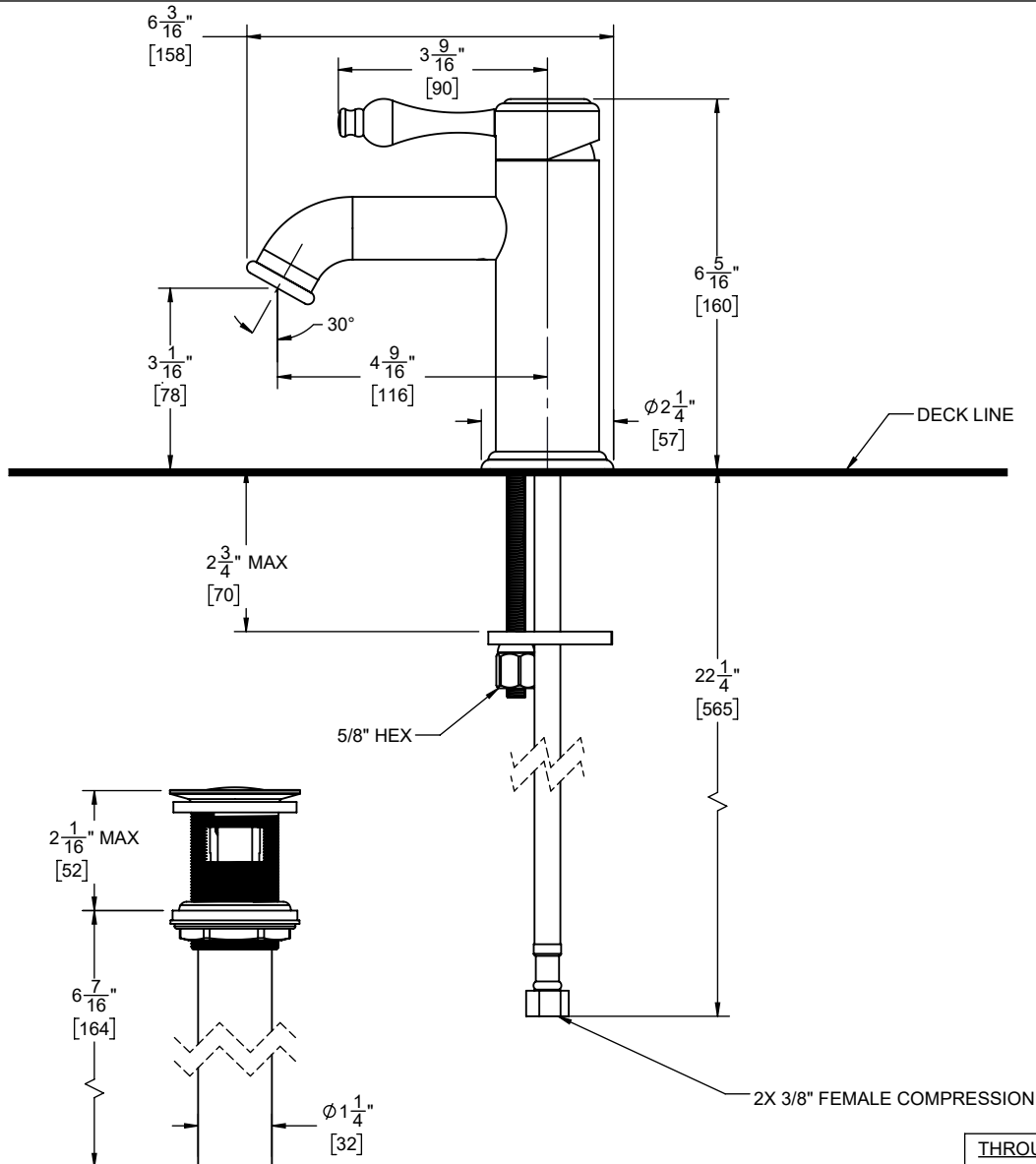
Product meets or exceeds the following:

- ASME A112.18.1/CSA B125.1
- NSF/ANSI 61 & NSF/ANSI 372
- CEC / DOE
- Commonwealth of MA
- EPA WaterSense High Efficiency Lavatory
- ADA compliant



4201-1-HXX

(XX = Optional Series Handle)



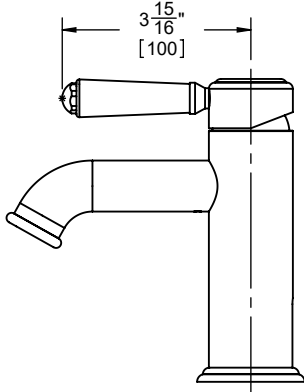
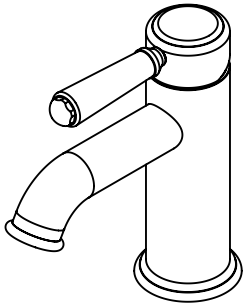
THROUGH-HOLE SPECIFICATIONS	
MIN	RECOMMENDED
SPOUT: $\phi 1\text{-}1/4$ " [32]	$\phi 1\text{-}3/8$ " [35]
DRAIN: $\phi 1\text{-}1/2$ " [38]	$\phi 1\text{-}3/4$ " [44]

SPECIFICATIONS SUBJECT TO CHANGE WITHOUT NOTICE

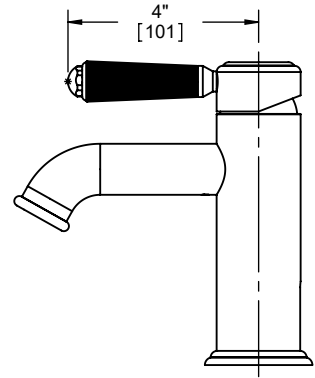
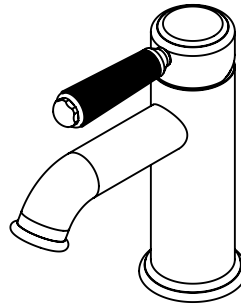
DIMENSIONS SHOWN TO THE NEAREST 1/16"
[DIMENSIONS SHOWN TO THE NEAREST 1mm]



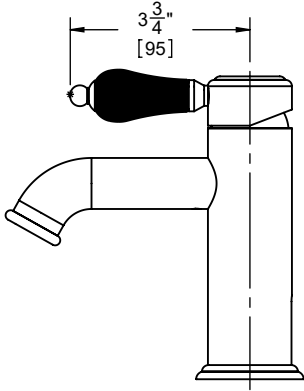
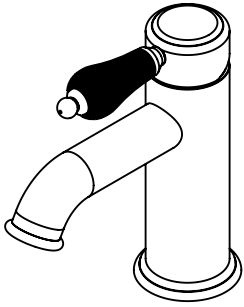
4201-1-H33



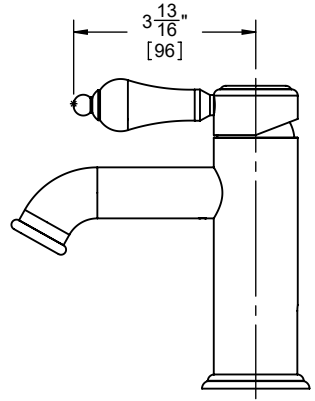
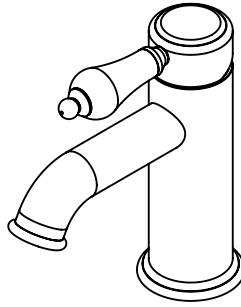
4201-1-H35



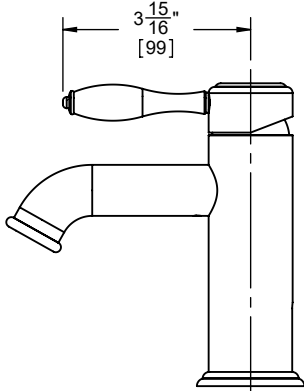
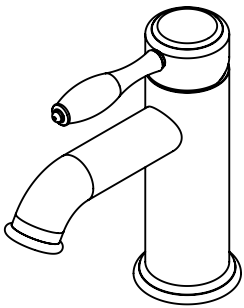
4201-1-H40



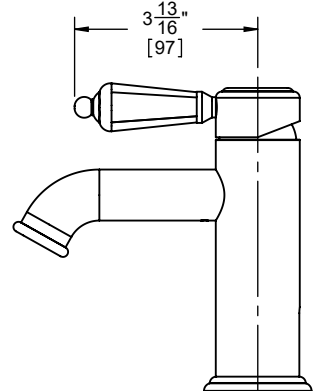
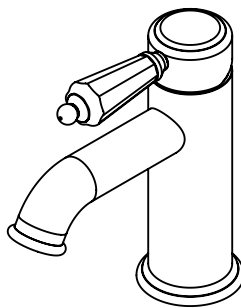
4201-1-H55



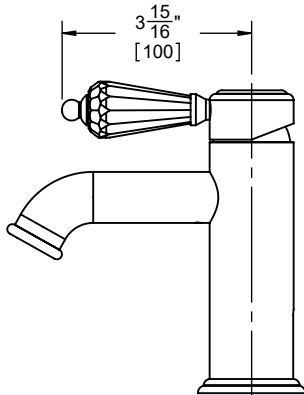
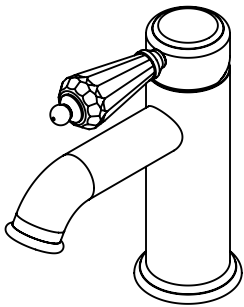
4201-1-H64



4201-1-H68



4201-1-CLEV



Dimensions Shown to Nearest 1/16"
[Dimensions Shown to Nearest 1mm]