



California Faucets®

**Descanso®**

INDUSTRIAL FLOOR MOUNT TUB FILLER WITH HANDSHOWER

**Features**

- Over 28 finishes including 13 PVD finishes
- All brass construction
- No additional wall or trap stabilizer kit required
- Tub filler: Maximum flow rate: 15 gpm (56.8 L/min) at 60 psi
- Handshower: Flow rate: 2.0 gpm (7.6 L/min) or 1.8 gpm (6.8 L/min)
- Handshower bracket may be placed on COLD or HOT side of body
- 1/4 turn ceramic disc cartridges
- Rough kit (9516) sold separately

**Codes/Standards Applicable**

- Product meets or exceeds the following:
- ASME A112.18.1/CSA B125.1
  - CEC (1.8 gpm) / DOE (2.0 & 1.8 gpm)
  - Commonwealth of MA
  - EPA WaterSense handshower (2.0 gpm)
  - ADA compliant (with lever handles)
  - Local codes may require installation of an upstream tempering valve



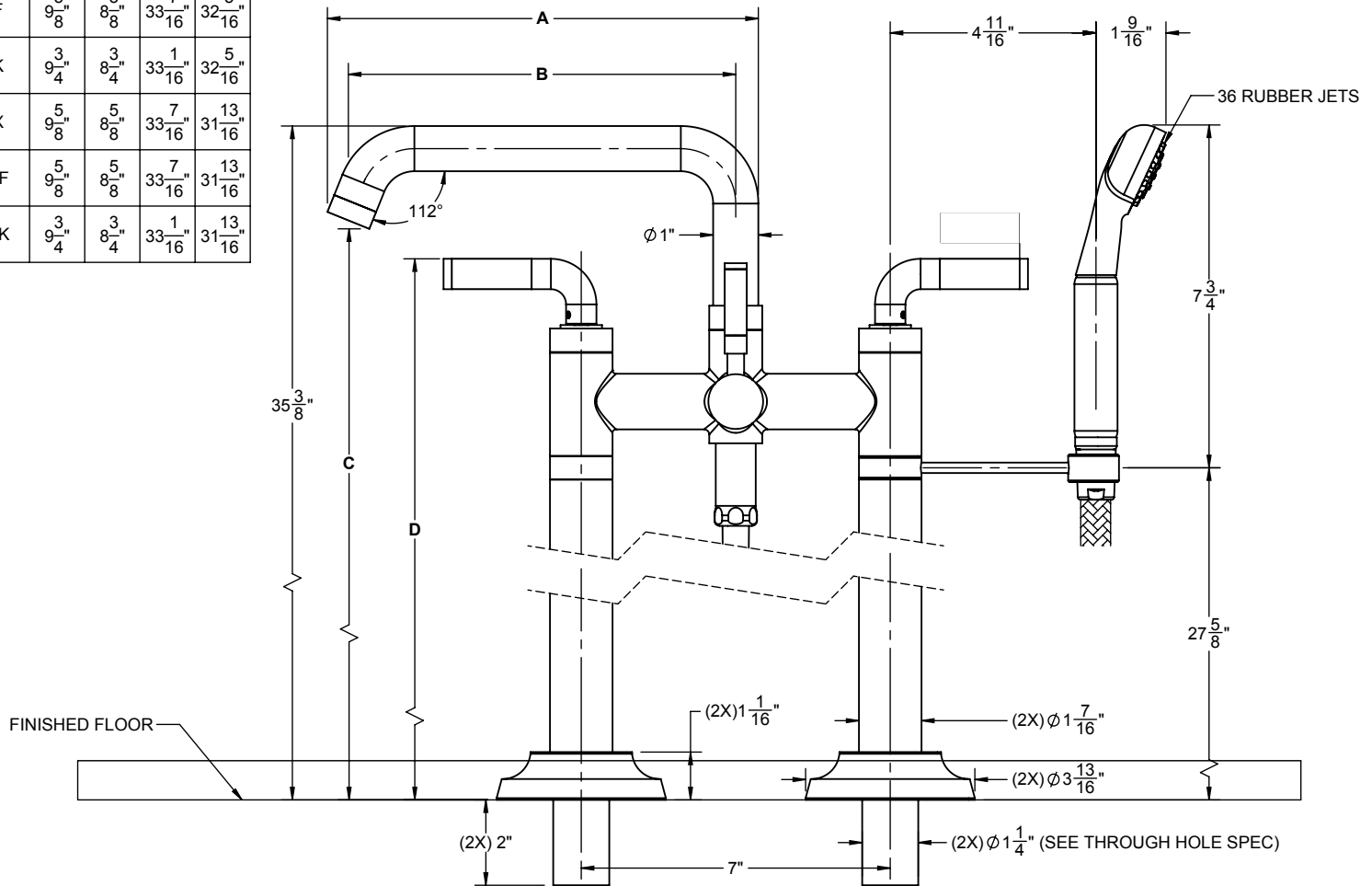
0903-30K.FR SHOWN

0903-XX.20  
0903-XX.18



XX = DENOTES HANDLE SERIES

HANDLE	A	B	C	D
30	9 <sup>5</sup> / <sub>8</sub> "	8 <sup>5</sup> / <sub>8</sub> "	33 <sup>7</sup> / <sub>16</sub> "	32 <sup>5</sup> / <sub>16</sub> "
30F	9 <sup>5</sup> / <sub>8</sub> "	8 <sup>5</sup> / <sub>8</sub> "	33 <sup>7</sup> / <sub>16</sub> "	32 <sup>5</sup> / <sub>16</sub> "
30K	3 <sup>9</sup> / <sub>4</sub> "	3 <sup>3</sup> / <sub>4</sub> "	33 <sup>1</sup> / <sub>16</sub> "	32 <sup>5</sup> / <sub>16</sub> "
30X	9 <sup>5</sup> / <sub>8</sub> "	8 <sup>5</sup> / <sub>8</sub> "	33 <sup>7</sup> / <sub>16</sub> "	31 <sup>13</sup> / <sub>16</sub> "
30XF	9 <sup>5</sup> / <sub>8</sub> "	8 <sup>5</sup> / <sub>8</sub> "	33 <sup>7</sup> / <sub>16</sub> "	31 <sup>13</sup> / <sub>16</sub> "
30XK	3 <sup>9</sup> / <sub>4</sub> "	3 <sup>3</sup> / <sub>4</sub> "	33 <sup>1</sup> / <sub>16</sub> "	31 <sup>13</sup> / <sub>16</sub> "



- (8X) CONCRETE TRI-LOBE ANCHOR
- (8X) #10 X 2 STAINLESS STEEL SCREW

THROUGH-HOLE SPECIFICATIONS		
MIN	RECOMMENDED	MAX
Ø 1-1/4"	Ø 1-5/16"	Ø 1-1/2"

SPECIFICATIONS SUBJECT TO CHANGE WITHOUT NOTICE

ALL DIMENSIONS SHOWN TO NEAREST 1/16"