



08-75-99

California Faucets®

TO-3208, TO-3308, TO-3408, TO-3508, TO-3608,
TO-3808, TO-4208, TO-4408, TO-4508, TO-4608,
TO-4708, TO-5108, TO-5508, TO-5808, TO-5908, TO-6008, TO-6108,
TO-6408, TO-6708, TO-6808, & TO-6908

Roman Tub Installation Instructions

CALIFORNIA FAUCETS RECOMMENDS THAT ALL PLUMBING PRODUCTS BE INSTALLED BY A LICENSED PROFESSIONAL

IMPORTANT: Read all instructions prior to installation and provide copy of instructions to consumer.

Operating Specifications:

Recommended Supply Pressure: 20 to 70 psi †

Maximum Flow Rate: 1.2 gpm

* Operating pressures between hot and cold supplies should vary no more than 30 psi.

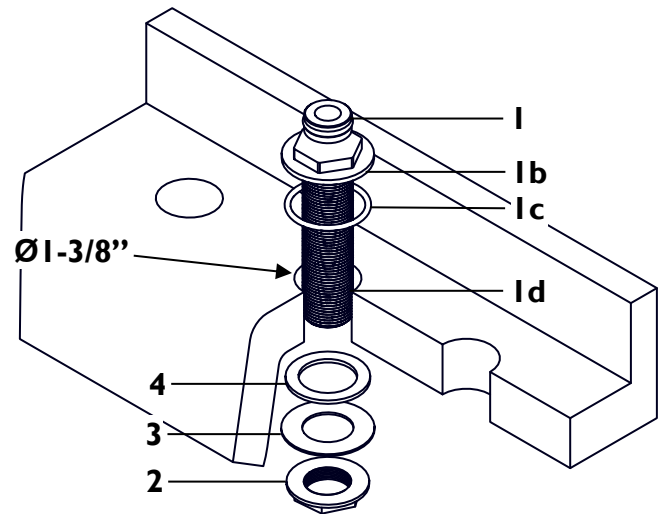
† If water pressure exceeds 70 psi, install a Pressure-Reducing Valve (PRV).

1 INSTALLING QUICK CONNECT

- Remove BRASS NUT (2), PLASTIC WASHER (3), and RUBBER WASHER (4) from QUICK CONNECT (1)
- Ensure that O-RING (1c) is properly seated in BRASS WASHER (1b)
- Insert QUICK CONNECT (1) through hole in deck

NOTE: Tub / Deck recommended hole size is $\varnothing 1-3/8"$

- Place RUBBER WASHER (4), PLASTIC WASHER (3), and BRASS NUT (2) onto quick connect SHANK (1d) from below and secure to tub/deck



2 INSTALLING VALVES

- From underneath insert VALVE (5) through appropriate tub/deck hole

IMPORTANT: VALVES (5) are labeled as follows:

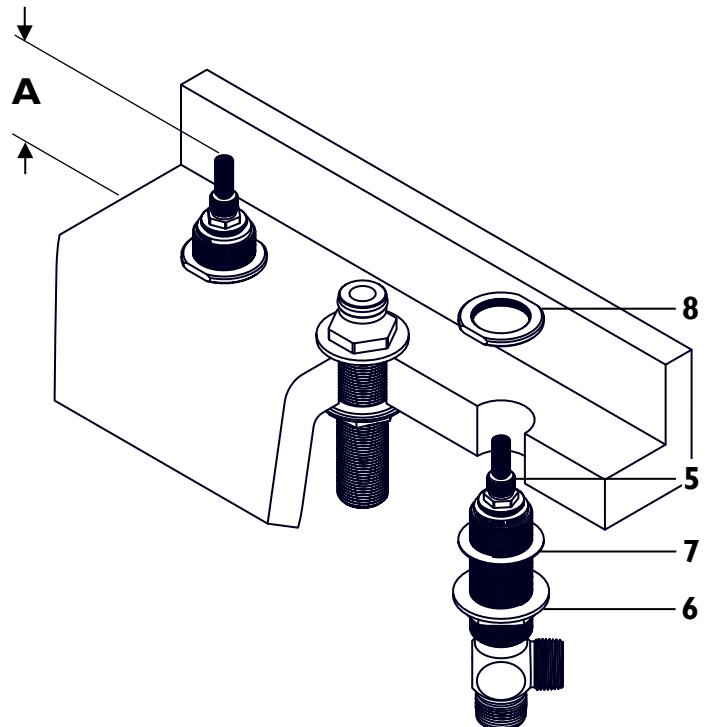
BLUE is **COLD** left turning (counterclockwise) closed

RED is **HOT** right-turning (clockwise) closed

- Position flange NUT (6), and WASHER (7) so that VALVE (5) extends above tub/deck surface according to table

Series	A
32	2-7/16"
33	2-7/16"
34	2-7/16"
35	2-7/16"
36	2-7/16"
38	2-5/8"
42	2-5/8"
44	2-3/8"
45	2"
46	2-1/2"
47	2-5/16"

Series	A
51	2-1/2"
55	2-5/8"
58	2-5/8"
59	2-5/8"
60	2-1/4"
61	2-1/4"
64	2-5/8"
67	2-1/4"
68	2-7/16"
69	2-7/16"



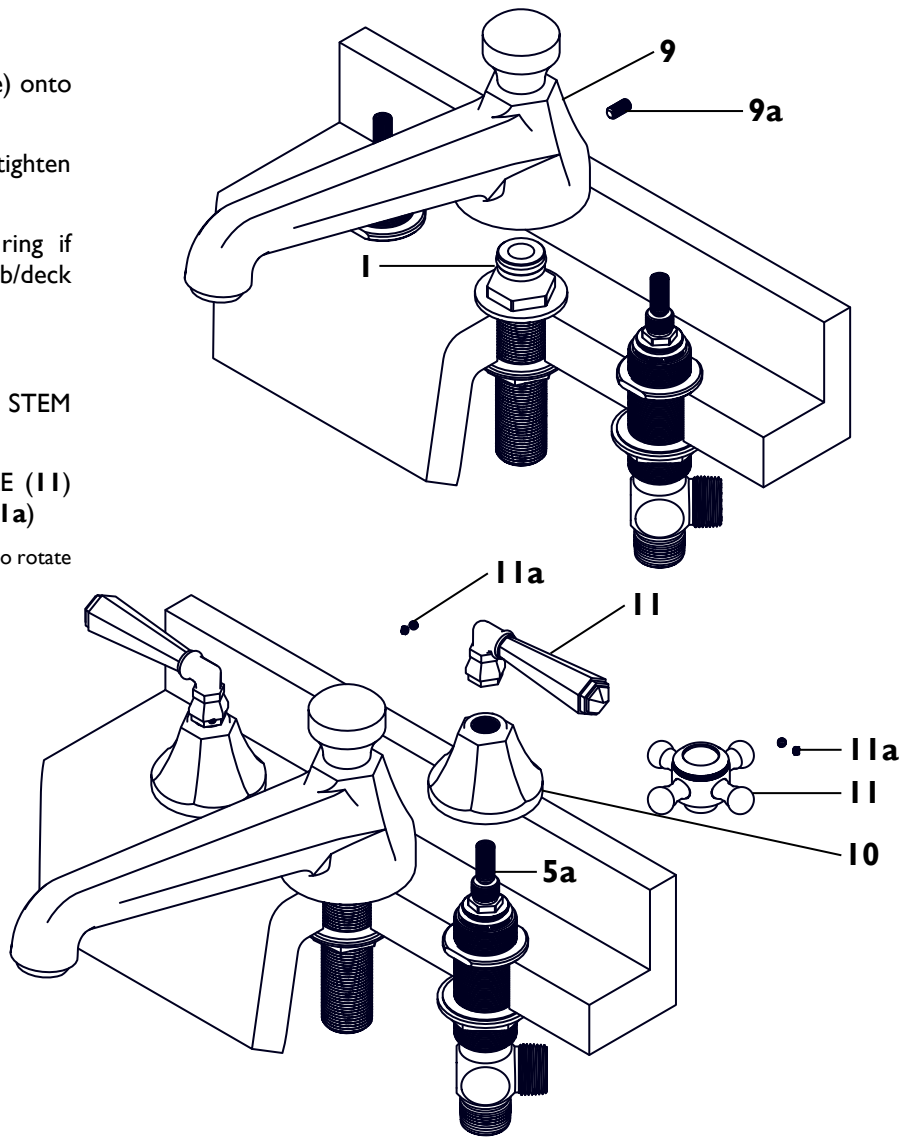
- Secure VALVE (5) with TOP NUT (8)

3

INSTALLING TRIM

- Seat SPOUT (9) (and spout base ring if applicable) onto QUICK CONNECT (1)
- Rotate SPOUT (9) to desired position and tighten SETSCREW (9a)
- Place ESCUTCHEON (10) (and handle base ring if applicable) onto VALVE (5) and secure to tub/deck surface
- Loosen SETSCREW (11a) from HANDLE (11)
- Slide HANDLE (11) down onto and engage valve STEM (5a)
- Allow a minimum gap (1/32") between HANDLE (11) and ESCUTCHEON (10), tighten SETSCREW (11a)

IMPORTANT: To obtain proper alignment it may be necessary to rotate VALVE (5) so that HANDLE (11) is aligned to desired orientation



4

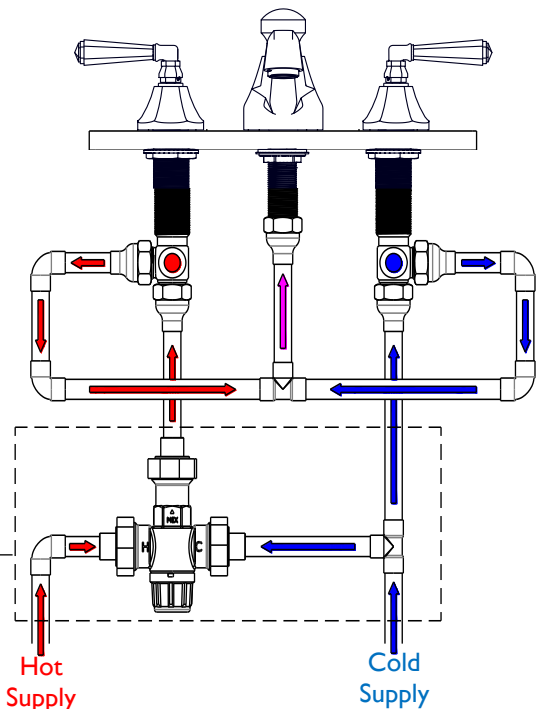
INSTALLING SUPPLY LINES

- Must use rigid copper piping (not flex) for all connections between spout and valves
- California Faucets recommends that all installation types have access panel(s) to allow for maintenance and/or service

Disclaimer: To conform to local codes and/or ordinances, it may be required that California Faucets Roman Tub sets be installed in conjunction with an ASSE 1070 approved tempering valve or equivalent (not included) to reduce hot water supply to a safe temperature.

Important: the INSTALLER is responsible to check local codes and/or ordinances, to confirm and verify proper maximum hot water temperature settings for all products installed

Warning: Water temperatures in excess of 110° F (43°C) are dangerous and may cause severe scalding and injury



Typical installation of ASSE 1070 tempering valve (follow tempering valve instructions)