



California Faucets®

# Showerhead

SH-1320W-ZZ

## Shower & Waterfall Showerhead Installation Instructions

**CALIFORNIA FAUCETS RECOMMENDS THAT ALL PLUMBING PRODUCTS BE INSTALLED BY A LICENSED PROFESSIONAL**

**IMPORTANT: Read all instructions prior to installation and provide copy of instructions to consumer.**

### Operating Specifications:

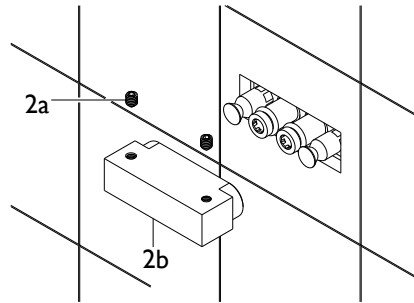
Recommended Supply Pressure: 20 to 70 psi\*†

† If water pressure exceeds 70 psi, install a Pressure-Reducing Valve (PRV).

## 1 REMOVING MUDGUARD

**IMPORTANT:** SHOWERHEAD (3) must be installed on finished wall

- Loosen SETSCREW (2a) and remove MUDGUARD (2b)



## 2 DRILLING HOLES IN TILE

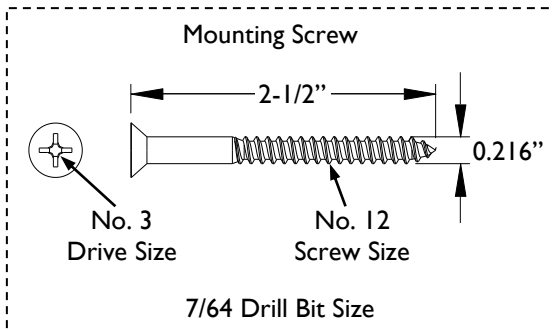
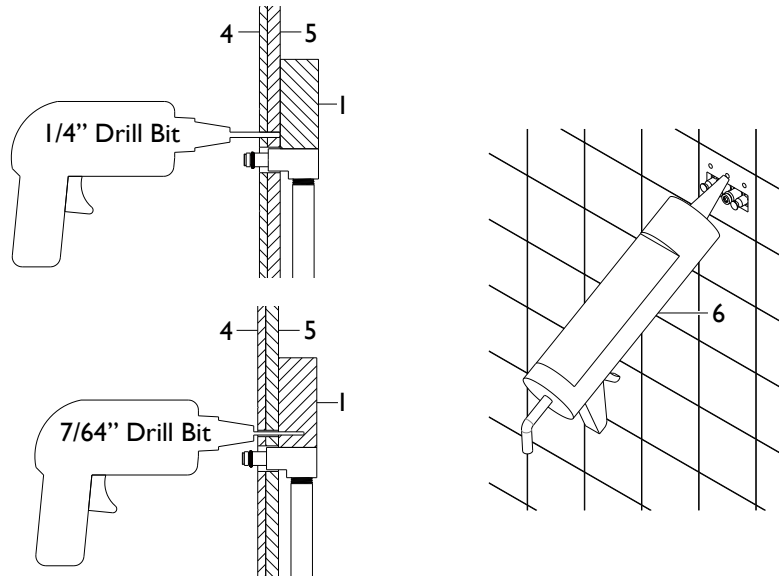
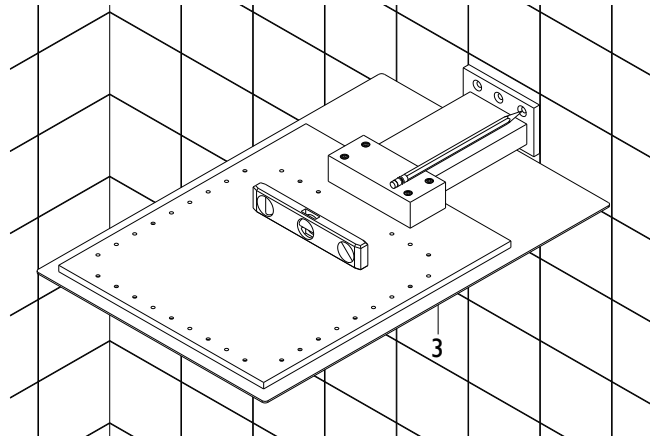
- Place SHOWERHEAD (3) onto ROUGH VALVE (2) and confirm that it is level

**WARNING:** SHOWERHEAD (3) **MUST** be supported while on ROUGH VALVE (2)

- Mark hole locations on finished wall
- Remove SHOWERHEAD (3) from ROUGH VALVE (2)
- Using a 1/4" drill bit, drill through TILE (4) and BACKERBOARD (5)

**IMPORTANT:** Do not drill into BRACE (1) with 1/4" drill bit

- Using a 7/64" drill bit, drill into BRACE (1)
- Apply SILICONE SEALANT (6) into drilled holes and around ROUGH VALVE (2)



**WARNING:** Finished wall thickness **MUST NOT** exceed 1-1/4"

### 3

## INSTALLING SHOWERHEAD

- Place SHOWERHEAD (3) onto ROUGH VALVE (2) and align it with the drilled holes
- Secure SHOWERHEAD (3) with SCREW (7) using a #3 drill bit (not supplied)

**WARNING:** SHOWERHEAD (3) **MUST** be supported until all screws are in place

