



California Faucets®

Showerhead

SH-1320S.FR-ZZ, SH-2216C.FR-ZZ Quick Connect Showerhead Installation Instructions

CALIFORNIA FAUCETS RECOMMENDS THAT ALL PLUMBING PRODUCTS BE INSTALLED BY A LICENSED PROFESSIONAL

IMPORTANT: Read all instructions prior to installation and provide copy of instructions to consumer.

Operating Specifications:

Recommended Supply Pressure: 20 to 70 psi*†

† If water pressure exceeds 70 psi, install a Pressure-Reducing Valve (PRV).

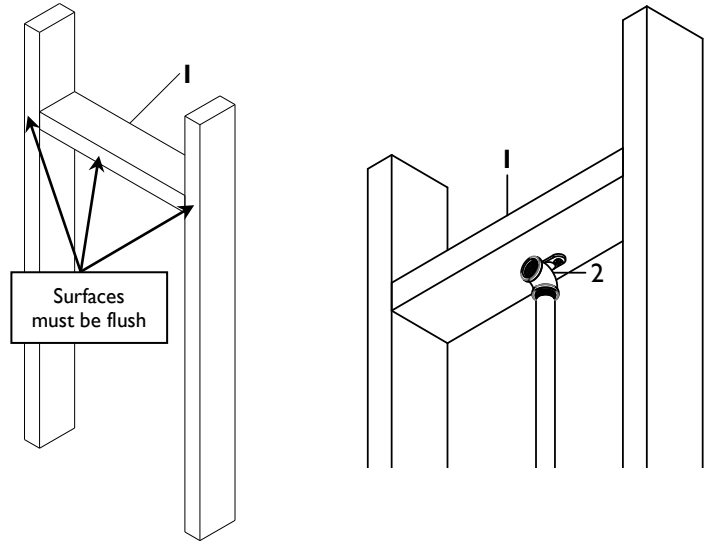
I PREPARING WALL

IMPORTANT: It is the **RESPONSIBILITY** of the **INSTALLER** to provide proper cross BRACE (1) to provide adequate support for the SHOWERHEAD (5)

- Securely mount a suitable cross BRACE (1) with the front surface flush between studs in wall to provide proper support for SHOWERHEAD (5)
- Mount 90° ELBOW (2) to cross BRACE (1) as shown

IMPORTANT: 90° ELBOW (2) outlet must have 1/2" NPT female thread and be securely mounted

- Flush system prior to installing QUICK CONNECT (4)



2 MOUNTING QUICK CONNECT

NOTE: Max wall thickness based on provided 2-1/2" screws.

- Wrap both ends of properly sized NIPPLE (3) (not supplied) with Teflon tape (no more than 3 wraps)
- Secure QUICK CONNECT (4) to NIPPLE (3)

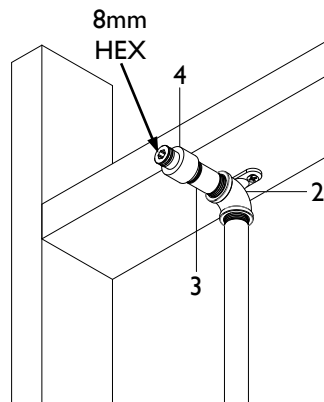
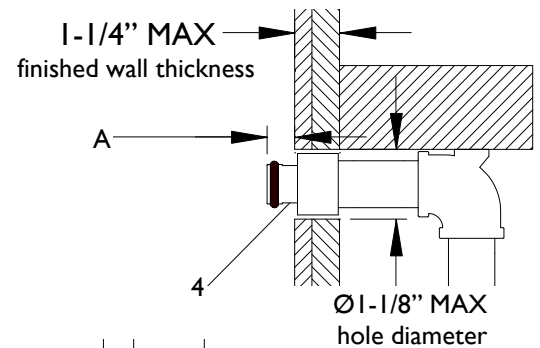
NOTE: Use an 8MM hex key (not supplied) to tighten QUICK CONNECT (4)

- Secure NIPPLE (3) to 90° ELBOW (2)

IMPORTANT: Do not over tighten NIPPLE (3) or QUICK CONNECT (4)

- Confirm that QUICK CONNECT (4) sticks out from finished wall according to table below

SKU	MAX "A"	MIN "A"
SH-1320S.FR-ZZ	1/2"	3/8"
SH-2216C.FR-ZZ	15/16"	1/2"



3 DRILLING HOLES IN TILE

IMPORTANT: SHOWERHEAD (5) must be installed on finished wall

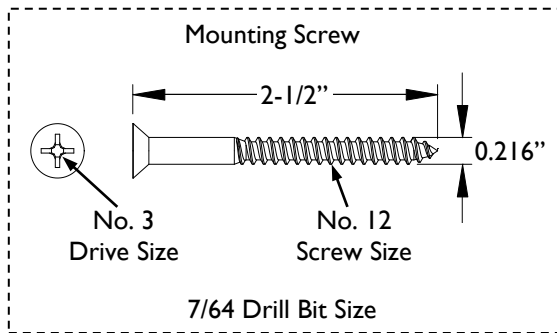
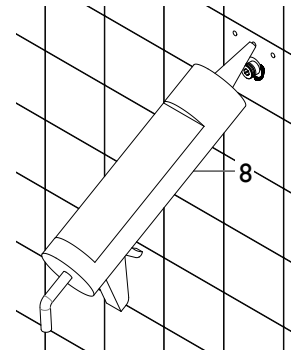
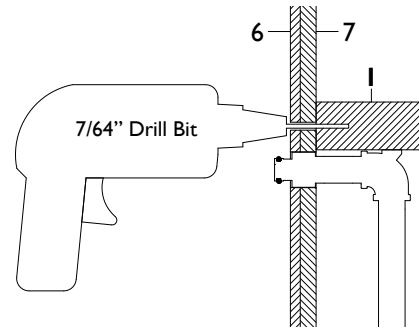
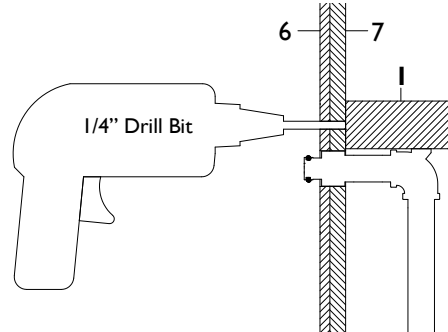
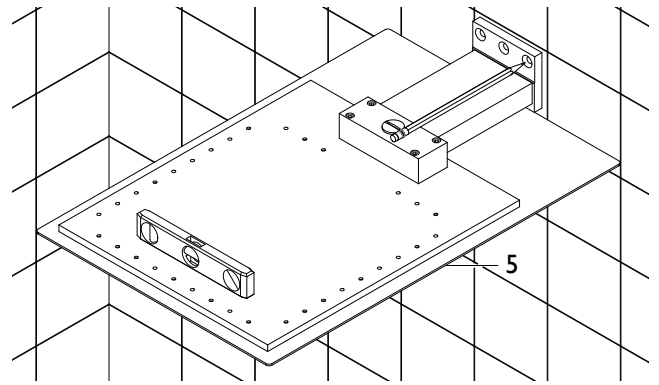
- Place SHOWERHEAD (5) onto QUICK CONNECT (4) and confirm that it is level

WARNING: SHOWERHEAD (5) **MUST** be supported while on QUICK CONNECT (4)

- Mark hole locations on finished wall
- Remove SHOWERHEAD (5) from QUICK CONNECT (4)
- Using a 1/4" drill bit, drill through TILE (6) and BACKERBOARD (7)

IMPORTANT: Do not drill into BRACE (1) with 1/4" drill bit

- Using a 7/64" drill bit, drill into BRACE (1)
- Apply SILICONE SEALANT (8) into drilled holes and around QUICK CONNECT (4)



WARNING: Finished wall thickness **MUST NOT** exceed 1-1/4"

4 INSTALLING SHOWERHEAD

- Place SHOWERHEAD (5) onto QUICK CONNECT (4) and align it with the drilled holes
- Secure SHOWERHEAD (5) with SCREW (9) using a #3 drill bit (not supplied)

WARNING: SHOWERHEAD (5) **MUST** be supported until all screws are in place

