

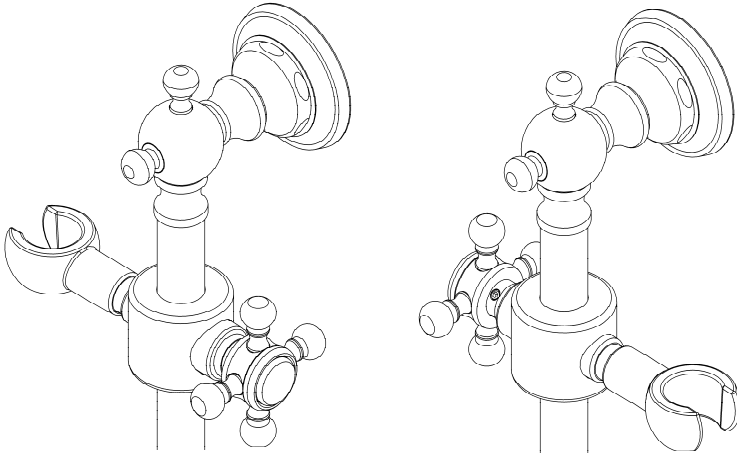
Traditional Handshower Slide Bar Installation Instructions

CALIFORNIA FAUCETS RECOMMENDS THAT ALL PLUMBING PRODUCTS BE INSTALLED BY A LICENSED PROFESSIONAL

IMPORTANT: Read all instructions prior to installation and provide copy of instructions to consumer.

1 RIGHT OR LEFT HANDED INSTALLATION

- The slide bar may be mounted in either a right or left handed position. This is determined at the installation stage by positioning the handle to the right or left. The slide bar is reversible.

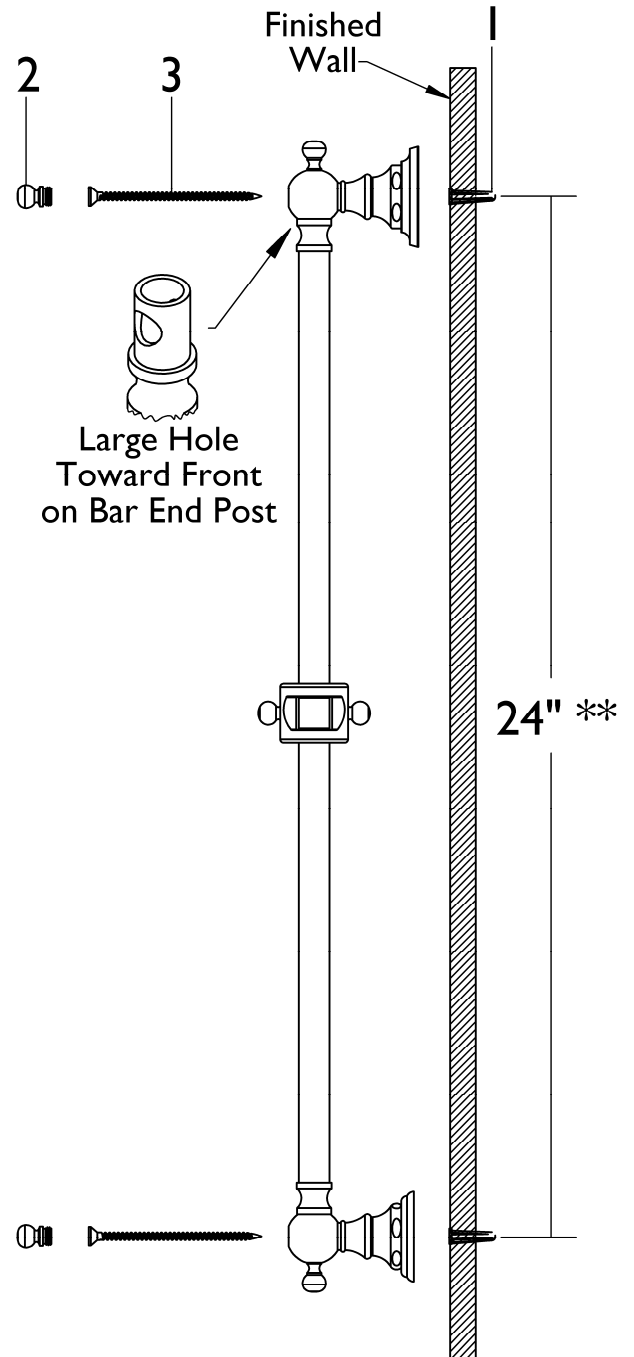


Right-handed

Left-handed

2 MOUNTING TO FINISHED WALL

- Pre-drill two 5/16" diameter hole in finished wall as shown **, insert ANCHOR (1) into each drilled hole
- Remove screw KNOB (2) and insert SCREW (3) through large hole in bar end post
- Securely tighten SCREW (3) and tighten screw KNOB (2) in place



**** Always verify dimension due to manufacturing variations**

3

HOLDER OPERATION

Note: If hook does not fully retract, rotate hook a small amount to allow hook to fully seat

- To adjust hook angle, pull hook away from the body
- Rotate hook forward or backward to desired position
- Release hook to lock into position

